

XVUC29

Ø60mm LED unit - steady/flash/rotate, multicolor unit, IP65, 24VAC/DC



Main

Range of product	Harmony XVU
Product or component type	Modular tower light
Beacon or indicator bank unit type	LED unit
Mounting diameter	60 mm
Component name	XVU
Light source	LED multi-colour
Light source colour	Blue Green Red White Yellow Amber
Device application	Automotive Machine tools Packaging machine

Complementary

Signalling type	Flashing Steady Blinking Rotating
Assembly style	Customer assembly, up to 5 units Up to 4 units with buzzer
Material	PC (polycarbonate) V-0 flame retardant conforming to UL 94 PC (polycarbonate) V-2 flame retardant conforming to UL 94
[Us] rated supply voltage	24 V AC/DC
Power dissipation in W	<= 1.5 W
Current consumption	<= 70 mA
Flashing frequency	1 Hz blinking 0.23 Hz slow flashing 7.26 Hz fast flashing 2.33 Hz slow rotating 3.3 Hz fast rotating
Signalling type	Steady/blinking/flashing/rotating
Length	50 mm
Product weight	0.064 kg

Environment

product certifications	CE CSA RoHS UL
ambient air temperature for storage	-40...70 °C
IP degree of protection	IP65
ambient air temperature for operation	-25...50 °C
vibration resistance	2 gn

Offer Sustainability

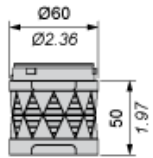
Sustainable offer status	Green Premium product
RoHS (date code: YYWW)	Compliant - since 1529 - Schneider Electric declaration of conformity

The information provided in this documentation contains general descriptions and/or technical characteristics of the products contained herein. This documentation is not intended as a substitute for and is not to be used for determining suitability or reliability of these products for specific user applications. It is the duty of any such user or integrator to perform the appropriate and complete risk analysis, evaluation and testing of the products with respect to the relevant specific application or use thereof. Neither Schneider Electric Industries SAS nor any of its affiliates or subsidiaries shall be responsible or liable for misuse of the information contained herein.

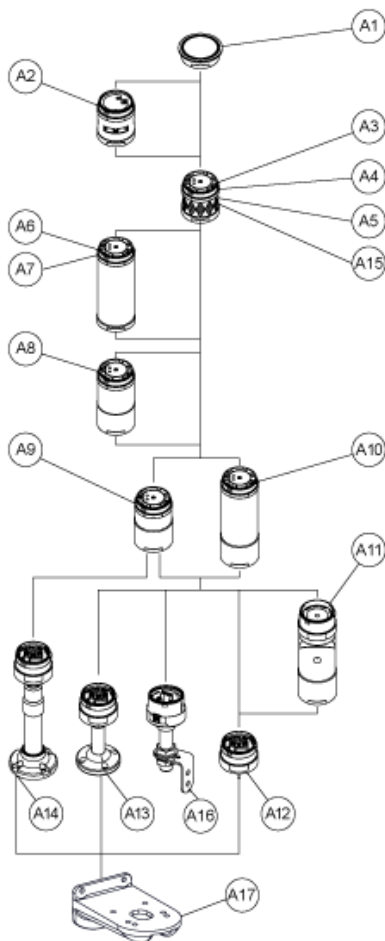
Illuminated LED Unit

Dimensions

mm
in.



Modular Tower Lights Mounting

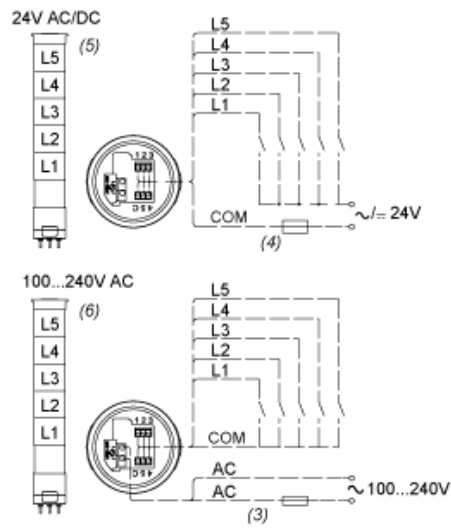
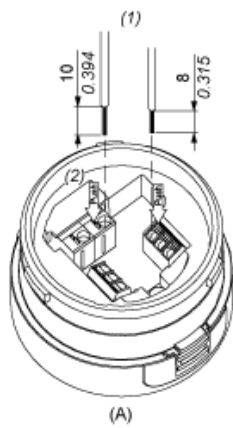


Drawing	Part number	Part name
A1	-	Top cover
	-	Top cover (Silver)
A2	XVUC9S	Buzzer unit
	XVUC9SQ	Buzzer unit (Silver)
A3	XVUC23	Green LED unit
	XVUC24	Red LED unit
	XVUC25	Orange LED unit
	XVUC26	Blue LED unit

	XVUC27	White LED unit
	XVUC28	Yellow LED unit
A4	XVUC29	Multi-LED unit
A5	XVUC29P	Multi-LED unit, Pulse signal
A6	XVUC9V	Sound unit
A7	XVUC9VP	Sound unit, Pulse signal
A8	XVUC020	Extender
	XVUC020Q	Extender (Silver)
A9	XVUC21B	DC body
	XVUC21BQ	DC body (Silver)
A10	XVUC21M	AC body NPN
	XVUC21MP	AC body PNP
	XVUC21MQP	AC body PNP (Silver)
A11	XVUZ06	Flexible option
A12	XVUZ01	Fixing Unit - Direct mounting (3 pins)
	XVUZ01Q	Fixing Unit - Direct mounting (Silver,3 pins)
	XVUZ03	Fixing Unit - Direct mounting (2 pins)
	XVUZ04	Fixing Unit - Direct mounting (4 pins)
A13	XVUZ02	Fixing Unit - Plate with Pole (100 mm)
	XVUZ02Q	Fixing Unit - Plate with Pole (100 mm, Silver)
	XVUZ400	Fixing Unit - Plate with Pole (400 mm)
	XVUZ800	Fixing Unit - Plate with Pole (800 mm)
A14	XVUZ05	Fixing Unit - Plate with adjustment pole (100-385 mm)
A15	XVUC43	Green LED unit, Flash
	XVUC44	Red LED unit, Flash
	XVUC45	Orange LED unit, Flash
	XVUC46	Blue LED unit, Flash
	XVUC47	White LED unit, Flash
	XVUC48	Yellow LED unit, Flash
A16	XVUZ100T	Fixing Unit - Metal bracket with pole (100 mm)
	XVUZ250T	Fixing Unit - Metal bracket with pole(250 mm)
	XVUZ400T	Fixing Unit - Metal bracket with pole (400 mm)
A17	XVUZ12	Fixing plate for use on vertical support - black

Illuminated Units, Multi-LED and Audible Units Wiring

mm
in.



- (A) Fixing Unit
- (1) Dimensions of Wiring size
- (2) Push-in Wire Connectors
- (3) Fuse : 2A ,250V
- (4) Fuse : 0.5A ,125V
- (5) Modular Tower Lights 24V AC/DC
- (6) Modular Tower Lights 100...240V AC
- L1 Illuminated LED Units
- to
- L5 :