

XUVK0252VS

photoelectric sensor - thru-beam - Sn 2 mm - NO or NC - M8 connector



Main

Range of product	OsiSense XU
Series name	Application packaging
Electronic sensor type	Photo-electric sensor
Sensor name	XUV
Sensor design	Fork
Detection system	Thru beam
Emission	Red or green
Type of setting	Without
Passage width	2 mm
Passage depth	50 mm
Material	Metal
Supply circuit type	DC
Wiring technique	3-wire
Discrete output type	PNP and NPN
Discrete output function	2 NO/NC programmable
Electrical connection	1 male connector M8 adjustable through 90°, 4 pins
Product specific application	Detection of labels
[Sn] nominal sensing distance	2 mm

Complementary

Setting-up	Teach mode
Enclosure material	Zinc alloy
Lens material	Glass
Type of output signal	Discrete
Output type	Solid state
Status LED	1 LED (yellow) for output state 1 LED (green) for sensor ready 1 LED (red) for read error
[Us] rated supply voltage	12...24 V DC with reverse polarity protection
Supply voltage limits	10...30 V DC
Switching capacity in mA	<= 100 mA (overload and short-circuit protection)
Switching frequency	<= 25 kHz
Voltage drop	<= 1.5 V (closed state)
Output clamping resistor	10 kOhm
Current consumption	<= 50 mA (no-load)
Delay first up	<= 30 ms
Delay response	< 0.1 ms
Delay recovery	< 0.1 ms
Depth	90 mm
Height	20 mm
Width	20 mm
Product weight	0.085 kg

Environment

product certifications	CE
ambient air temperature for operation	0...55 °C

The information provided in this documentation contains general descriptions and/or technical characteristics of the products contained herein. This documentation is not intended as a substitute for and is not to be used for determining suitability or reliability of these products for specific user applications. It is the duty of any such user or integrator to perform the appropriate and complete risk analysis, evaluation and testing of the products with respect to the relevant specific application or use thereof. Neither Schneider Electric Industries SAS nor any of its affiliates or subsidiaries shall be responsible or liable for misuse of the information contained herein.

ambient air temperature for storage	-20...70 °C
vibration resistance	7 gn, amplitude = +/- 1.5 mm (f = 10...55 Hz) conforming to IEC 60068-2-6
shock resistance	30 gn (duration = 11 ms) conforming to IEC 60068-2-27
IP degree of protection	IP65 conforming to IEC 60529

Offer Sustainability

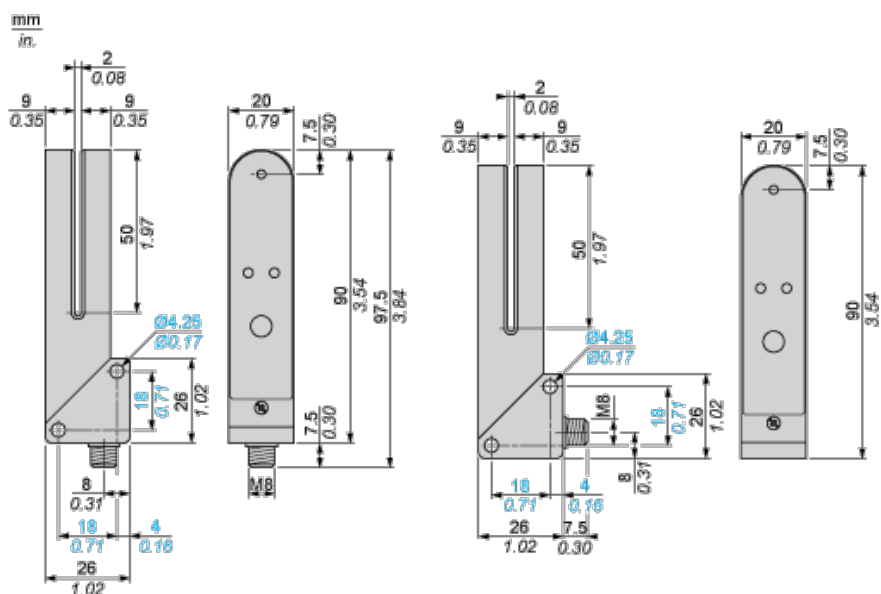
Sustainable offer status	Not Green Premium product
RoHS (date code: YYWW)	Compliant - since 0623 - Schneider Electric declaration of conformity

Contractual warranty

Warranty period	18 months
-----------------	-----------

Dimensions

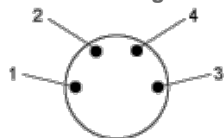
M8 Connector Adjustable Through 90°



Connector Scheme

3-wire, PNP and NPN

NO or NC Programmable Function



- 1 : +
- 2 : NPN Output
- 3 : -
- 4 : PNP Output