

XUYDCFCO966S

photoelectric sensor - XUY - M8 connector - Sn 4
mm - discrete solid state



Main

| | |
|-------------------------------|---|
| Range of product | OsiSense XU |
| Series name | Application packaging |
| Electronic sensor type | Photo-electric sensor |
| Sensor name | XUY |
| Sensor design | Fiber design |
| Detection system | Diffuse |
| Emission | White LED (450 - 650 nm) |
| [Sn] nominal sensing distance | 18 mm with fiber optic XUYFPDC61/101 4 mm with fiber optic XUYFPDCM861/M8101 |
| Material | Plastic |
| Switching frequency | < 20 kHz |
| Type of output signal | Discrete |
| Supply circuit type | DC |
| Wiring technique | 4-wire |
| Discrete output type | PNP and NPN |
| Discrete output function | 1 NO or 1 NC programmable |
| Electrical connection | 1 male connector M8, 4 pins |

Complementary

| | |
|----------------------------|---|
| Enclosure material | Polyamide |
| Lens material | Polyamide |
| Pulse frequency | 40 kHz |
| Spot diameter | 1.5 mm |
| Depth of field | - 3...1 mm with fiber optic XUYFPDC61/101 - 5...7 mm with fiber optic XUYFPDC61/101 +/- 1 mm with fiber optic XUYFPDCM861/M8101 |
| Output type | Solid state |
| Status LED | 1 LED for output state indication |
| [Us] rated supply voltage | 24 V DC with reverse polarity protection |
| Supply voltage limits | 10...30 V DC |
| Voltage state 0 guaranteed | < 1.4 V |
| Voltage state 1 guaranteed | > 3 V |
| Switching capacity in mA | 100 mA (overload and short-circuit protection) |
| Voltage drop | < 2 V (closed state) |
| Current consumption | 50 mA |
| Delay response | 25 µs |
| Delay recovery | 25 µs |
| Setting-up | With sensitivity adjustment |
| Product weight | 0.047 kg |

Environment

| | |
|---------------------------------------|--|
| product certifications | CE CULus |
| ambient air temperature for operation | 0...40 °C |
| ambient air temperature for storage | -20...80 °C |
| immunity to ambient light | 10000 lux with natural light 20000 lux with incandescent bulb |
| IP degree of protection | IP65 conforming to IEC 60529 |

The information provided in this documentation contains general descriptions and/or technical characteristics of the products contained herein. This documentation is not intended as a substitute for and is not to be used for determining suitability or reliability of these products for specific user applications. It is the duty of any such user or integrator to perform the appropriate and complete risk analysis, evaluation and testing of the products with respect to the relevant specific application or use thereof. Neither Schneider Electric Industries SAS nor any of its affiliates or subsidiaries shall be responsible or liable for misuse of the information contained herein.

Offer Sustainability

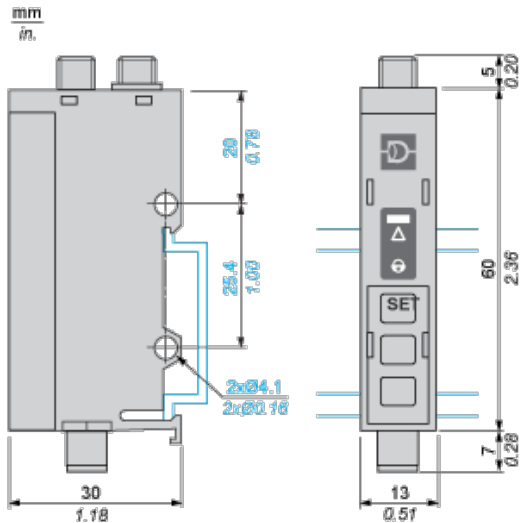
| | |
|--------------------------|---|
| Sustainable offer status | Not Green Premium product |
| RoHS (date code: YYWW) | Compliant - since 0707 - Schneider Electric declaration of conformity |

Contractual warranty

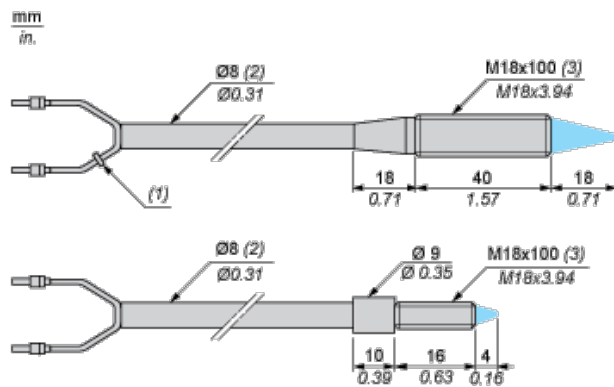
| | |
|-----------------|-----------|
| Warranty period | 18 months |
|-----------------|-----------|

Dimensions

Sensors Dimensions



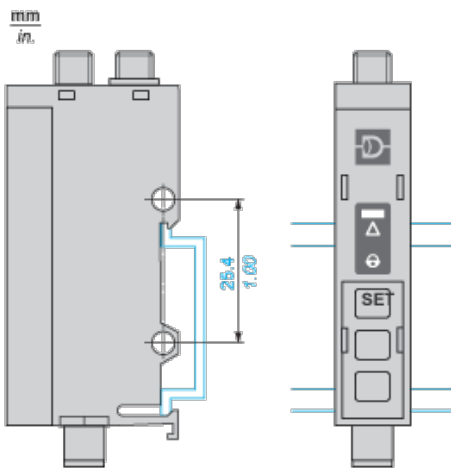
Fibres Dimensions (To be Ordered Separately)



- (1) The ring indicates that the fibre is transmitting
- (2) Bend radius: 15 mm
- (3) 2 nuts included with fibre optic

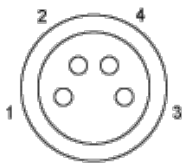
Mounting and Clearance

Mounting on 35 mm rail

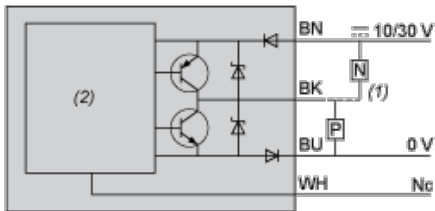


Wiring Schemes

Scheme



- 1 : Brown
- 2 : White
- 3 : Blue
- 4 : Black



BN : Brown

WH : White

BU : Blue

BK : Black

(1) High level on first shade "taught"

NC : Not connected