

## XUYPS989SP

photo-electric sensor - XUY 989 - BGS - Sn 0.08m - 12..24VDC - cable 2m



### Main

Range of product	OsiSense XU
Series name	Application
Electronic sensor type	Photo-electric sensor
Sensor name	XUY
Sensor design	Miniature
Detection system	Diffuse with background suppression
Material	Plastic
Type of output signal	Discrete
Supply circuit type	DC
Wiring technique	4-wire
Discrete output type	PNP
Discrete output function	1 NO or 1 NC programmable
Electrical connection	Cable
Cable length	2 m
Product specific application	Conveyor system and access control series
Emission	Red LED, pulsed
[Sn] nominal sensing distance	1 m polarised reflex 4 m thru beam 0.08 m diffuse with background suppression 0.25 m diffuse with adjustable sensitivity

### Complementary

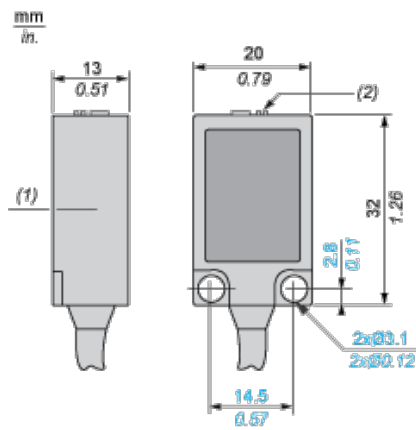
Enclosure material	ABS
Lens material	PMMA
Cover material	PVC
Pulse frequency	6 kHz
Output type	Solid state
[Us] rated supply voltage	12...24 V DC with reverse polarity protection
Supply voltage limits	10...30 V DC
Switching capacity in mA	100 mA (overload and short-circuit protection)
Switching frequency	500 Hz
Voltage drop	< 2 V at 100 mA (closed state) <= 1 V at 10 mA (closed state)
Current consumption	< 25 mA (no-load)
Delay response	1 ms
Product weight	0.075 kg

### Environment

product certifications	CE CULus
ambient air temperature for operation	0...50 °C
ambient air temperature for storage	-20...80 °C
immunity to ambient light	<= 10000 lux with natural light <= 5000 lux with incandescent bulb
IP degree of protection	IP65 conforming to IEC 60529 IP67 conforming to IEC 60529

The information provided in this documentation contains general descriptions and/or technical characteristics of the products contained herein. This documentation is not intended as a substitute for and is not to be used for determining suitability or reliability of these products for specific user applications. It is the duty of any such user or integrator to perform the appropriate and complete risk analysis, evaluation and testing of the products with respect to the relevant specific application or use thereof. Neither Schneider Electric Industries SAS nor any of its affiliates or subsidiaries shall be responsible or liable for misuse of the information contained herein.

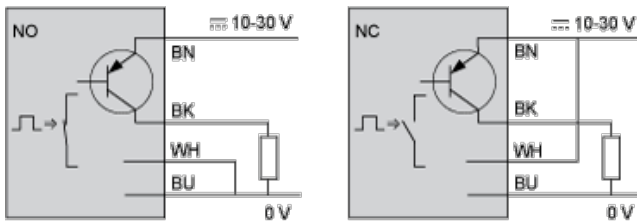
## Dimensions



- (1) Optical axis
- (2) Accuracy adjustment

## Connections and Schemes

### PNP Output



- BN : Brown
- BU : Blue
- BK : Black
- WH : White