

XUYRCO989SP

photo-electric sensor - XUY 989 - receiver - Sn 4m - 12..24VDC - M8



Main

| | |
|-------------------------------|---|
| Range of product | OsiSense XU |
| Series name | Application |
| Electronic sensor type | Photo-electric sensor |
| Sensor name | XUY |
| Sensor design | Miniature |
| Detection system | Thru beam |
| Material | Plastic |
| Type of output signal | Discrete |
| Supply circuit type | DC |
| Wiring technique | 4-wire |
| Discrete output type | PNP |
| Discrete output function | 1 NO or 1 NC programmable |
| Electrical connection | 1 male connector M8, 4 pins |
| Product specific application | Conveyor system and access control series |
| Emission | Red LED, pulsed |
| [Sn] nominal sensing distance | 1 m polarised reflex 4 m thru beam 0.08 m diffuse with background suppression 0.25 m diffuse with adjustable sensitivity |

Complementary

| | |
|---------------------------|--|
| Enclosure material | ABS |
| Lens material | PMMA |
| Cover material | PUR |
| Pulse frequency | 6 kHz |
| Output type | Solid state |
| [Us] rated supply voltage | 12...24 V DC with reverse polarity protection |
| Supply voltage limits | 10...30 V DC |
| Switching capacity in mA | 100 mA (overload and short-circuit protection) |
| Switching frequency | 500 Hz |
| Voltage drop | < 2 V at 100 mA (closed state) <= 1 V at 10 mA (closed state) |
| Current consumption | < 25 mA (no-load) |
| Delay response | 1 ms |
| Product weight | 0.044 kg |

Environment

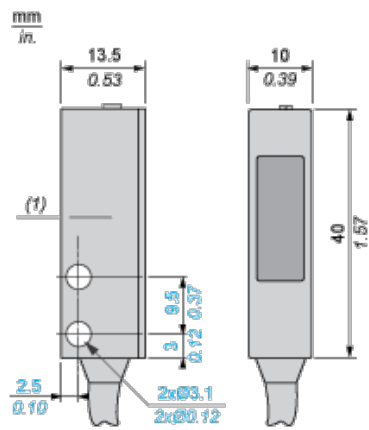
| | |
|---------------------------------------|--|
| product certifications | CE CULus |
| ambient air temperature for operation | 0...50 °C |
| ambient air temperature for storage | -20...80 °C |
| IP degree of protection | IP65 conforming to IEC 60529 IP67 conforming to IEC 60529 |

Offer Sustainability

| | |
|--------------------------|---|
| Sustainable offer status | Not Green Premium product |
| RoHS (date code: YYWW) | Compliant - since 0703 - Schneider Electric declaration of conformity |

The information provided in this documentation contains general descriptions and/or technical characteristics of the products contained herein. This information is not intended as a substitute for and is not to be used for determining suitability or reliability of these products for specific user applications. It is the duty of any such user or integrator to perform the appropriate and complete risk analysis, evaluation and testing of the products with respect to the relevant specific application or use thereof. Neither Schneider Electric Industries SAS nor any of its affiliates or subsidiaries shall be responsible or liable for misuse of the information contained herein.

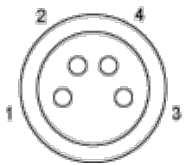
Dimensions



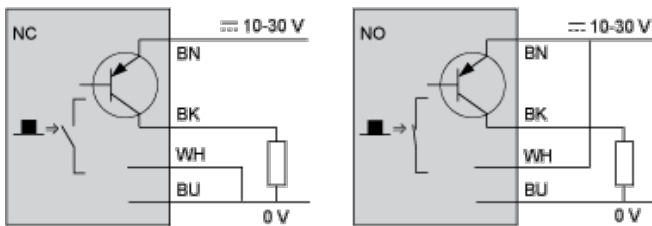
(1) Optical axis

Connections and Schemes

M8



PNP Output



1/BN :Brown

2/WH :White

3/BU :Blue

4/BK :Black