

XT7C40NC440

capacitive sensor - XT7 - 40 x 40 x 117 - plastic - Sn
15 mm - 12..48 V DC



Main

Range of product	OsiSense XT
Sensor type	Capacitive proximity sensor
Product specific application	Detection of insulated materials
Sensor name	XT7
Sensor design	Form 40 x 40 x 117
Size	117 mm
Body type	Plug-in body
Detector flush mounting acceptance	Flush mountable
Material	Plastic
Enclosure material	Plastic
Type of output signal	Discrete
Wiring technique	4-wire
[Sn] nominal sensing distance	15 mm
Discrete output function	1 NC + 1 NO
Output circuit type	DC
Discrete output type	NPN
Electrical connection	Screw clamp terminal 4 x 1.5 mm ²
[Us] rated supply voltage	12...48 V DC
Delay response	<= 5 ms
IP degree of protection	IP67 conforming to IEC 60529

Complementary

Detection face	5 positions turret head
Differential travel	< 0.2 x Sr
Repeat accuracy	< 0.1 x Sr
Cable entry	1 entry tapped for Pg 13.5 cable gland
Status LED	1 LED (green) for supply state indication 1 LED (yellow) for output state indication
Supply voltage limits	10...58 V DC
Protection type	Short-circuit protection
Switching frequency	<= 100 Hz
Voltage drop	<= 2 V (closed)
Current consumption	<= 10 mA
Delay first up	<= 30 ms
Delay recovery	<= 5 ms
Maximum switching current	200 mA
Marking	CE
Setting-up	Sensitivity by potentiometer
Depth	40 mm
Height	117 mm
Width	40 mm
Product weight	0.22 kg

Environment

product certifications	CSA UL
------------------------	-----------

The information provided in this documentation contains general descriptions and/or technical characteristics of the products contained herein. This documentation is not intended as a substitute for and is not to be used for determining suitability or reliability of these products for specific user applications. It is the duty of any such user or integrator to perform the appropriate and complete risk analysis, evaluation and testing of the products with respect to the relevant specific application or use thereof. Neither Schneider Electric Industries SAS nor any of its affiliates or subsidiaries shall be responsible or liable for misuse of the information contained herein.

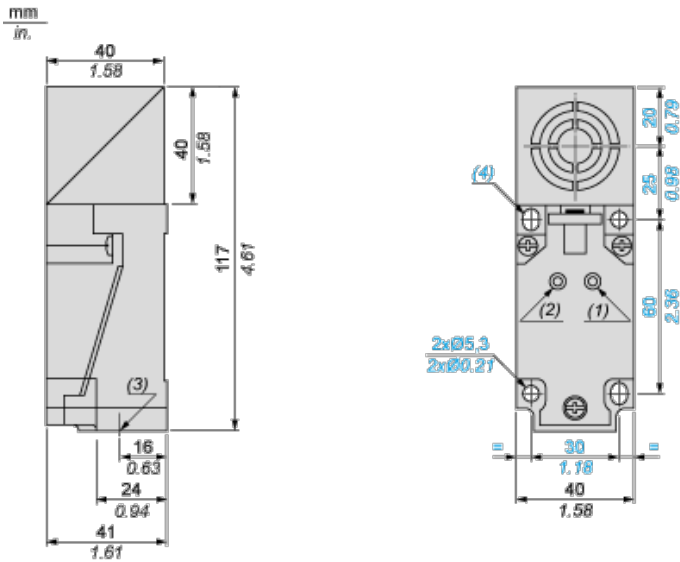
Offer Sustainability

Sustainable offer status	Not Green Premium product
RoHS (date code: YYWW)	Will be Compliant on 3Q2013 Will be Compliant on 3Q2013

Contractual warranty

Warranty period	18 months
-----------------	-----------

Dimensions

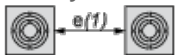


- (1) Output LED
- (2) Supply LED
- (3) 1 tapped entry for 13P cable gland
- (4) 2 elongated holes Ø 5.3 x 7

Setting-up

Minimum Mounting Distances (mm)

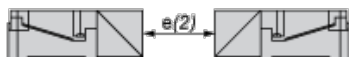
Side by side



e(1) 40

≧

Face to face



e(2) 120

≧

Wiring Diagram

3-wire DC NO + NC Output

