

# XS8C4A4NCG13

inductive sensor XS8 40x40x117 - PBT - Sn40 mm - 12..48VDC - terminals



## Main

|                                    |   |
|------------------------------------|---|
| Range of product                   | OsiSense XS   |
| Series name                        | General purpose   |
| Sensor type                        | Inductive proximity sensor  |
| Device application                 | Mobile equipment  |
| Sensor name                        | XS8   |
| Sensor design                      | Form 40 x 40 x 117  |
| Size                               | 117 mm  |
| Body type                          | Fixed   |
| Detector flush mounting acceptance | Non flush mountable   |
| Material                           | Plastic   |
| Enclosure material                 | PBT   |
| Type of output signal              | Discrete  |
| Wiring technique                   | 4-wire  |
| [Sn] nominal sensing distance      | 40 mm   |
| Discrete output function           | 1 NO + 1 NC   |
| Output circuit type                | DC  |
| Discrete output type               | NPN   |
| Electrical connection              | Screw-clamp terminals, clamping capacity: 4 x 1.5 mm <sup>2</sup>                             |
| [Us] rated supply voltage          | 12...48 V DC with reverse polarity protection   |
| Switching capacity in mA           | <= 200 mA with overload and short-circuit protection  |
| IP degree of protection            | IP65 conforming to IEC 60529<br>IP67 conforming to IEC 60529<br>IP69K conforming to DIN 40050 |

## Complementary

|                       |  |
|-----------------------|--|
| Detection face        | 5 positions turret head                                    |
| Front material        | PBT  |
| Operating zone        | 0...32 mm  |
| Differential travel   | 3...15% of Sr  |
| Repeat accuracy       | <= 3% of Sr  |
| Cable entry number    | 1 tapped entry for Pg 13.5 cable gland                     |
| Status LED            | 1 LED green for supply on<br>1 LED yellow for output state |
| Supply voltage limits | 10...58 V DC   |
| Switching frequency   | <= 200 Hz  |
| Voltage drop          | <= 2 V at closed state                                     |
| Current consumption   | 0...15 mA at no-load                                       |
| Delay first up        | <= 7.5 ms  |
| Delay response        | <= 1.4 ms  |
| Delay recovery        | <= 2.5 ms  |
| Marking               | CE   |
| Height                | 40 mm  |
| Length                | 40 mm  |
| Width                 | 117 mm   |

The information provided in this documentation contains general descriptions and/or technical characteristics of the products contained herein. This documentation is not intended as a substitute for and is not to be used for determining suitability or reliability of these products for specific user applications. It is the duty of any such user or integrator to perform the appropriate and complete risk analysis, evaluation and testing of the products with respect to the relevant specific application or use thereof. Neither Schneider Electric Industries SAS nor any of its affiliates or subsidiaries shall be responsible or liable for misuse of the information contained herein.

Product weight 0.244 kg

## Environment

|                                       |   |
|---------------------------------------|---|
| product certifications                | CCC<br>CSA<br>UL<br>E2  |
| ambient air temperature for operation | -25...70 °C   |
| ambient air temperature for storage   | -40...85 °C   |
| vibration resistance                  | 25 gn amplitude = +/- 2 mm (f = 10...55 Hz) conforming to IEC 60068-2-6 |
| shock resistance                      | 50 gn for 11 ms conforming to EN 60068-2-27                             |

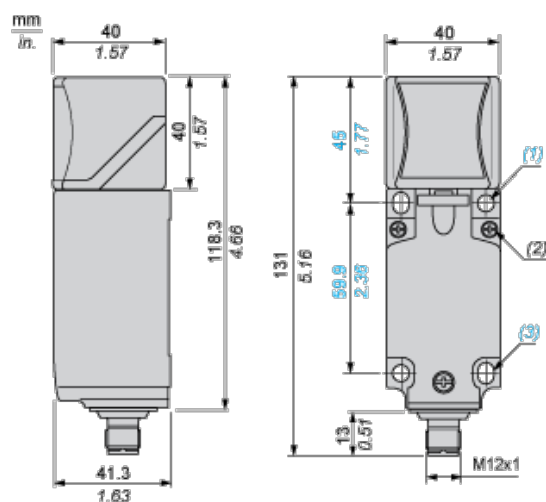
## Offer Sustainability

|                                  |   |
|----------------------------------|---|
| Sustainable offer status         | Green Premium product   |
| RoHS (date code: YYWW)           | Compliant - since 1213 - Schneider Electric declaration of conformity |
| REACH                            | Reference not containing SVHC above the threshold                     |
| Product environmental profile    | Available   |
| Product end of life instructions | Need no specific recycling operations                                 |

## Contractual warranty

|                 |           |
|-----------------|-----------|
| Warranty period | 18 months |
|-----------------|-----------|

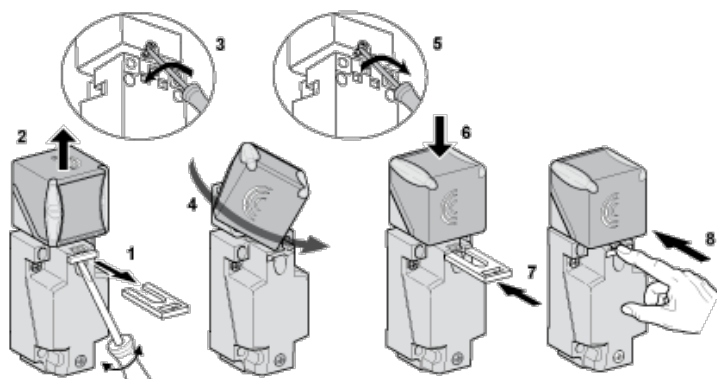
## Dimensions



- (1) 2 holes  $\varnothing$  5,45 mm /  $\varnothing$  0.21 in. (Tightening torque: < 1,5 Nm / < 13.3 lb-in.)
- (2) 3 screws M3,5. (Tightening torque: < 1,2 Nm / < 10.6 lb-in.)
- (3) 2 elongated holes 5,4 x 7,4 mm / 0.21 x 0.29 in. (Tightening torque: < 1,5 Nm / < 13.3 lb-in.)

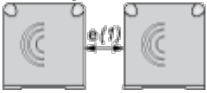
## Mounting

### Head Positions



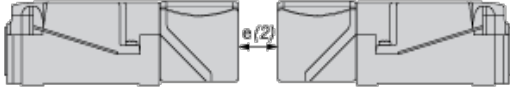
## Setting-up Precautions

### Side by Side



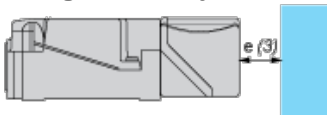
e (1) 160

### Face to Face



e (2) 320

### Facing a Metal Object



e (3) 120

## Wiring Schemes

### 4-Wire DC

