

## HMIGK2310

Keypad-touchscreen panel color - 320 x 240 pixels  
QVGA- 5.7" - TFT LCD



### Main

Range of product	Magelis GK
Product or component type	Touchscreen panel with keypad
Display colour	65536 colours
Display size	5.7 inch
Supply	External source
Operating system	Magelis
Processor name	CPU RISC

### Complementary

Display type	Backlit colour TFT LCD
Display resolution	320 x 240 pixels QVGA
Touch sensitive zone	1024 x 1024
Touch panel	Analogue
Backlight lifespan	50000 hours
Brightness	16 levels via touch panel
Character font	ASCII (European characters) Chinese (simplified Chinese) Japanese (ANK, Kanji) Korean Taiwanese (traditional Chinese)
[Us] rated supply voltage	24 V DC
Supply voltage limits	19.2...28.8 V
Inrush current	<= 30 A
Power consumption in W	7.7 W
Number of dynamic function keys symb	14 with LED
Number of static function keys	10 with LED and labels
Number of SERVICE keys	8
Number of alphanumeric keys	12
Local signalling	1 LED green or orange for normal operation or backlighting faulty
Number of pages	Limited by internal memory capacity
Software type	Configuration software
Software designation	Vijeo Designer
Processor frequency	333 MHz
Memory description	Back up of data 512 kB: SRAM, lithium battery Application memory 128 MB: flash EPROM
Downloadable protocols	Telemecanique Modicon FIPWAY Telemecanique Modicon Modbus Plus Telemecanique Modicon Modbus TCP Telemecanique Modicon Modbus Mitsubishi Melsec third party protocols Omron Sysmac third party protocols Rockwell Automation Allen-Bradley third party protocols Siemens Simatic third party protocols Telemecanique Modicon Uni-TE
Realtime clock	Built-in
Memory type	Up to 32 GB SD card RAM Up to 32 GB SDHC card RAM
Integrated connection type	USB 2.0 type mini B <= 187.5 kbit/s RJ45, RS485 COM2 serial link for Siemens MPI (187.5 kbits/s) USB 2.0 type A master port for Modicon M340 terminal port communication <= 115.2 kbits/s male SUB-D 9, RS232C COM1 serial link

The information provided in this documentation contains general descriptions and/or technical characteristics of the products contained herein. This documentation is not intended as a substitute for and is not to be used for determining suitability or reliability of these products for specific user applications. It is the duty of any such user or integrator to perform the appropriate and complete risk analysis, evaluation and testing of the products with respect to the relevant specific application or use thereof. Neither Schneider Electric Industries SAS nor any of its affiliates or subsidiaries shall be responsible or liable for misuse of the information contained herein.

Removable screw terminal block power supply  
RJ45 Ethernet TCP/IP

Port Ethernet	10BASE-T/100BASE-TX
Mounting mode	Flush mounting
Fixing mode	By 10 spring clips
Front material	Aluminium alloy
Enclosure material	PPT
Marking	CE
Width	220.3 mm
Height	265 mm
Depth	70 mm
Cut-out dimensions	209 (+/- 0.4) x 243 (+/- 0.4) mm
Product weight	1.8 kg

## Environment

immunity to microbreaks	<= 5 ms
standards	EN 61000-6-2 EN 61000-6-4 EN 61131-2 CSA C22.2 No 213 ANSI/ISA 12.12.01 UL 61010-2-201
product certifications	CSA Class 1 Division 2 T4A CSA Class 1 Division 2 T5 CULus UL Class 1 Division 2 T4A UL Class 1 Division 2 T5 RCM EAC KC
ambient air temperature for operation	0...55 °C
ambient air temperature for storage	-20...60 °C
relative humidity	10...90 % without condensation
operating altitude	< 2000 m
IP degree of protection	IP65 for front panel conforming to IEC 60529 IP20 for rear panel conforming to IEC 60529
NEMA degree of protection	NEMA 4X for front panel (indoor use)
shock resistance	For 11 ms conforming to IEC 60068-2-27
vibration resistance	1 gn for 9...150 Hz conforming to IEC 60068-2-6 3.5 mm for 5...9 Hz conforming to IEC 60068-2-6
electromagnetic compatibility	Resistance to electrostatic discharge - test 4 kV, level 3 conforming to IEC 61000-4-2 Resistance to radiated electromagnetic fields - test 10 V/m conforming to IEC 61000-4-3 Resistance to fast transient - test 2 kV, level 3 conforming to IEC 61000-4-4

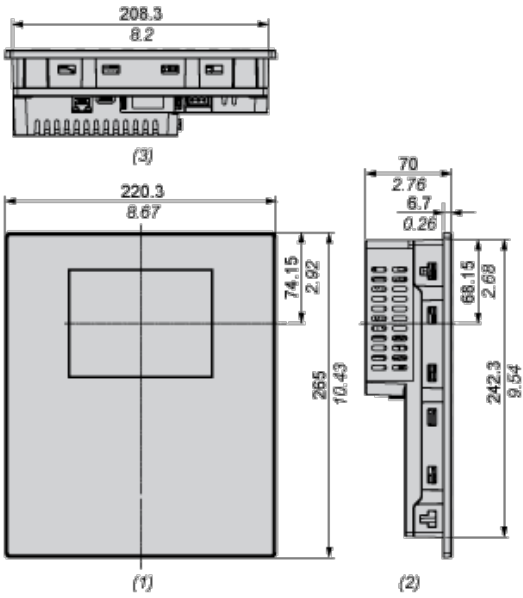
## Offer Sustainability

Sustainable offer status	Not Green Premium product
RoHS (date code: YYWW)	Compliant - since 1617 - Schneider Electric declaration of conformity
REACH	Reference not containing SVHC above the threshold

## Dimensions

### External Dimensions

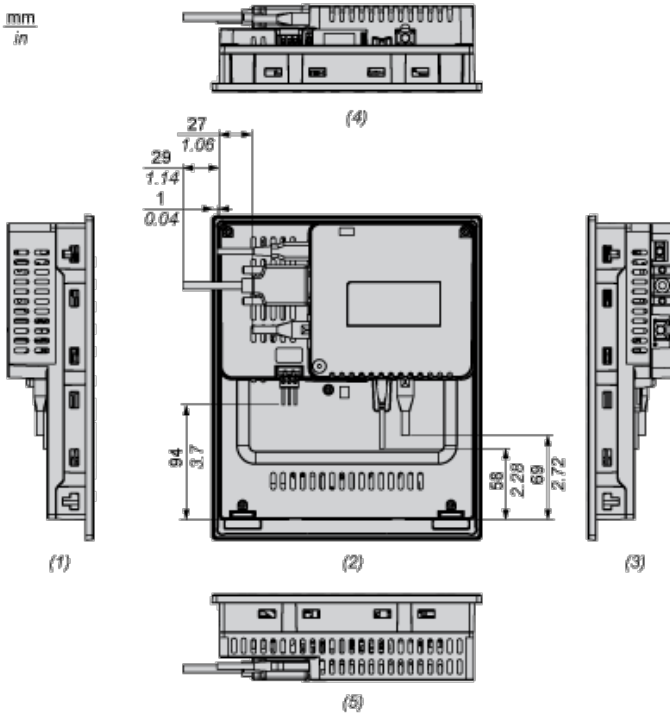
mm  
in



- (1) Front
- (2) Left
- (3) Bottom

#### Dimensions with Cables

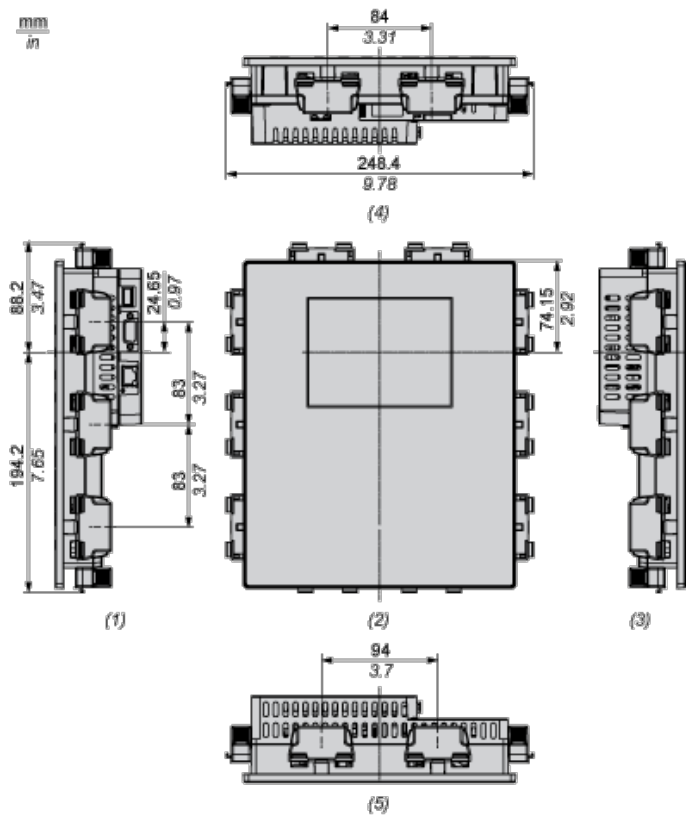
mm  
in



- (1) Right
- (2) Front
- (3) Left
- (4) Bottom
- (5) Top

#### Dimensions with Spring Clips

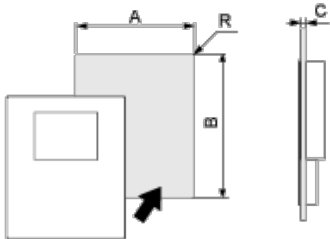
mm  
in



- (1) Right
- (2) Front
- (3) Left
- (4) Bottom
- (5) Top

## Mounting

### Panel Cut Dimensions



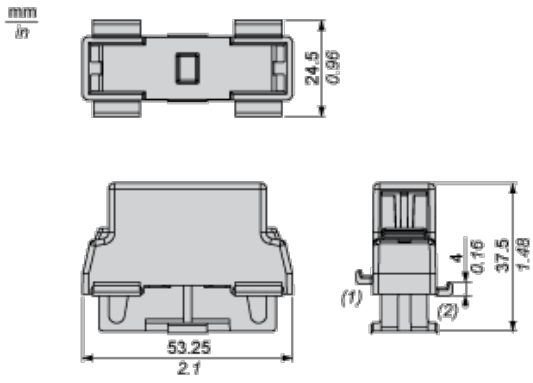
#### Dimensions in mm

A	B	C
209 $\pm$ 0.4	243 $\pm$ 0.4	Spring clips (Position 1): 1.5...4 Spring clips (Position 2): 4...6

#### Dimensions in in.

A	B	C
8.23 $\pm$ 0.01	9.57 $\pm$ 0.01	Spring clips (Position 1): 0.06...0.16 Spring clips (Position 2): 0.16...0.24

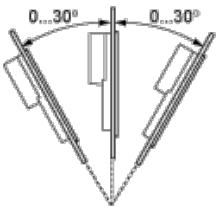
### Spring Clip Dimensions



- (1) Position 1
- (2) Position 2

## Installation Requirements

### Mounting Angle



When installing this product in a slanted position with an incline more than 30°, the ambient temperature must not exceed 40 °C (104 °F). You may need to use forced air cooling (fan, A/C) to ensure the ambient operating temperature is 40 °C or less (104 °F or less).

### Clearance

