

ABL8FEQ24020

rectified and filtered power supply - 1 or 2-phase -
400 V AC - 24 V - 2 A



Main

| | |
|-----------------------------|---|
| Range of product | Phaseo Rectified |
| Product or component type | Power supply |
| Power supply type | Rectified and filtered |
| Rated power in W | 48 W |
| Input voltage | 230 V AC single phase, terminal(s): N-L1 400 V AC phase to phase, terminal(s): L1-L2 |
| Output voltage | 24 V DC |
| Power supply output current | 2 A |
| Operating position | Horizontal at 40 °C Vertical at 60 °C |

Complementary

| | |
|--------------------------|---|
| Input voltage limits | 207...253 V 360...440 V |
| Network frequency limits | 47...63 Hz |
| Input voltage tolerance | +/- 15 V |
| Inrush current | 2.77 A at 400 V 4.8 A at 230 V |
| Cos phi | 0.737 at 230 V 0.863 at 400 V |
| Efficiency | 75 % |
| Power dissipation in W | 12 W |
| Residual ripple | <= 1200 mV |
| Holding time | 14 ms |
| Output protection type | Against overload and short-circuits, protection technology: internal fuse, 2 A, 5 x 20 mm, T curve Against overvoltage, protection technology: 2 J peak limiter |
| Connections - terminals | Screw type terminals for input connection, connection capacity: 5 x 2.5...5 x 4 mm ² AWG 14...AWG 11 Screw type terminals for input ground connection, connection capacity: 1 x 2.5...1 x 4 mm ² AWG 14...AWG 11 Screw type terminals for output connection, connection capacity: 4 x 2.5...4 x 4 mm ² AWG 14...AWG 11 |
| Marking | CE |
| Fixing mode | By 4 screws By clips on 35 mm symmetrical DIN rail |
| Output coupling | Parallel Series |
| Operating altitude | 3000 m |
| Name of test | Conducted/radiated emissions conforming to EN 55011 class B Electrostatic discharges conforming to EN/IEC 61000-4-2 Emission conforming to EN 50081-1 Emission conforming to EN 61000-6-3 Rapid transient conforming to IEC 61000-4-4 Surge conforming to EN/IEC 61000-4-5 |
| Status LED | 1 LED green for output voltage 1 LED orange for input voltage |
| Depth | 142 mm |
| Height | 108 mm |
| Width | 87 mm |
| Product weight | 2.2 kg |

Environment

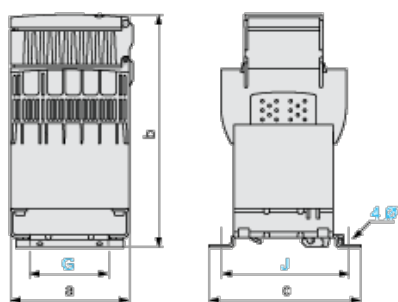
The information provided in this documentation contains general descriptions and/or technical characteristics of the performance of the products contained herein. This documentation is not intended as a substitute for and is not to be used for determining suitability or reliability of these products for specific user applications. It is the duty of any such user or integrator to perform the appropriate and complete risk analysis, evaluation and testing of the products with respect to the relevant specific application or use thereof. Neither Schneider Electric Industries SAS nor any of its affiliates or subsidiaries shall be responsible or liable for misuse of the information contained herein.

| | |
|---------------------------------------|---|
| product certifications | CULus UL 508 EAC KC |
| environmental characteristic | EMC conforming to IEC 62041 Safety conforming to EN/IEC 61558-2-6 Safety conforming to UL 508 Safety conforming to UL 60950-1 EMC conforming to EN/IEC 61000-3-2 |
| IP degree of protection | IP20 conforming to EN/IEC 60529 |
| ambient air temperature for operation | -20...60 °C |
| ambient air temperature for storage | -40...80 °C |
| relative humidity | 0...95 % without condensation or dripping water |
| electrical shock protection class | Class I conforming to VDE 0106-1 |
| vibration resistance | 0.05 mm (f = 47...57 Hz) conforming to IEC 60068-1 0.7 gn (f = 13.9...47 Hz) conforming to IEC 60068-1 1 gn (f = 57...150 Hz) conforming to IEC 60068-1 1 mm (f = 3...13.9 Hz) conforming to IEC 60068-1 |
| dielectric strength | 2000 V between input and ground 4600 V between input and output 500 V between output and ground |

Contractual warranty

| | |
|-----------------|-----------|
| Warranty period | 18 months |
|-----------------|-----------|

Dimensions



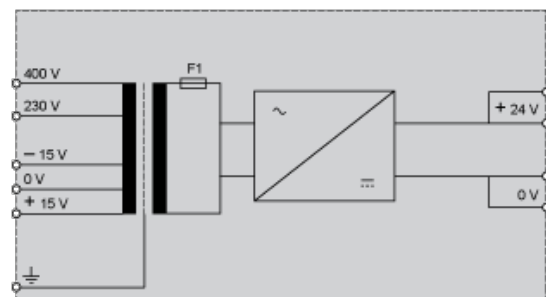
Dimensions in mm

| a | b | c | G | J | Ø |
|----|-----|-----|----|----|-----|
| 87 | 142 | 108 | 60 | 96 | 5.5 |

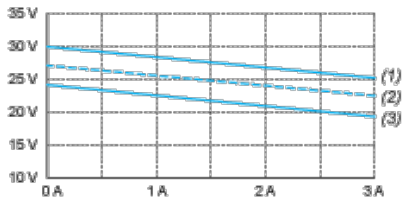
Dimensions in in.

| a | b | c | G | J | Ø |
|------|------|------|------|------|------|
| 3.42 | 5.59 | 4.25 | 2.36 | 3.78 | 0.22 |

Internal Wiring Diagram



Load Limits Curve



- (1) Nominal line supply + 10%
- (2) Nominal line supply
- (3) Nominal line supply - 10%