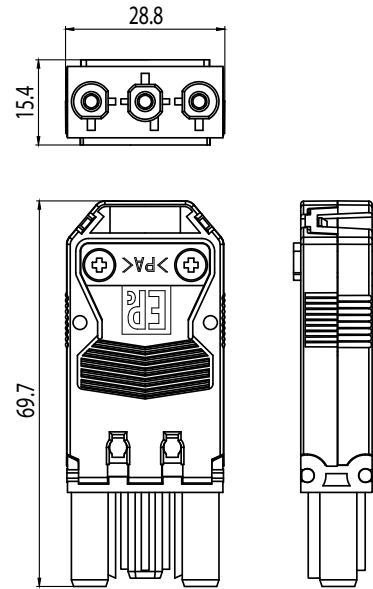


SPECIFICATION SHEET

Product Code

FSSR3BKF

Product Description
250V 20A 3 Pole Connection Female Socket With Cover & Strain Relief

General Information

Rated Current / Voltage	20A 250V~
Number Of Poles	3
Materials	Body: Polyamide (PA6/6 V0) Black
	Contacts: Brass Silver Plated
Terminal Type	Screw (Cross Head)
Screw Torque	Terminals: 0.5Nm, Cover Screws: 0.6Nm
Impulse Voltage	5kV
Temperature Rating	100°C
Terminal Cable Size	1.5mm ² Min. - 2.5mm ² Max.
Strain Relief Cable	7.5mm Ø Min. - 10.5mm Ø Max.
Cut & Strip Lengths	Cut: Live & Neutral: 27mm, Earth: 35mm
	Stripped: 8mm
Ferrule / Bootlace	2.7mm Ø Max.
IP Rating	IP20 (IP40 When Plugged In)
Compatible Male Plug	FSSR3BKM

Standards

EN61535: 2008 +A1: 2013 Compliant When Locked Together, EN 60335-1

Approvals

 250/600V T110 -
2,5mm² 20A (Canada
15A); 1,5mm² 10A

Additional Information

Installation couplers are only intended for connection and disconnection without load. This installation coupler is not suitable for installation in readily accessible areas.