



### Main

|                           |                                      |
|---------------------------|--------------------------------------|
| Range of product          | Harmony XB5                          |
| Product or component type | Wireless and batteryless transmitter |
| Device short name         | XB5R                                 |
| Bezel material            | Plastic                              |
| Transmission frequency    | 2405 MHz                             |
| Emission class            | 5M00G7W                              |
| Antenna type              | Omnidirectional                      |

### Complementary

|                             |  |
|-----------------------------|--|
| Max power consumption in W  | 1 mW   |
| Number of channels          | 1  |
| Modulation technique        | O-QPSK   |
| Bandwidth                   | 5 MHz  |
| Antenna gain                | 0 dBi  |
| CAD overall height          | 144 mm   |
| CAD overall width           | 56 mm  |
| CAD overall depth           | 38 mm  |
| Product weight              | 0.15 kg  |
| Pulling force               | 45...1000 N  |
| Mechanical robustness       | Free fall resistance (test level: 1000 mm) conforming to EN/IEC 60068-2-32 |
| Standards                   | EN/IEC 60947-1<br>EN/IEC 60947-5-1<br>UL 508<br>CSA C22.2 No 14            |
| Radio agreement             | RSS<br>SRRC<br>ICASA<br>ANATEL<br>ARIB T66<br>FCC                          |
| Communication port protocol | Zigbee (green power) at 2.4 GHz conforming to IEEE 802.15.4                |

|                          |   |
|--------------------------|---|
| Maximum sensing distance | 100 m in free field<br>25 m transmitter in a plastic box type XAL D and receiver in a metal enclosure<br>300 m transmitter in box type XAL D, receiver in metal enclosure and use relay-antenna |
| Acquisition time         | 2 ms  |
| Response time            | < 2 ms  |
| Emission power           | 3 mW  |
| Fixing mode              | By screw recommended torque: 1.8...2.2 N.m  |
| Mounting mode            | Panel-mounted<br>Between 2 ropes  |
| Operating position       | Any position  |

## Environment

|                                       |   |
|---------------------------------------|---|
| Ambient air temperature for storage   | -40...70 °C   |
| Ambient air temperature for operation | -25...70 °C   |
| Relative humidity                     | 95 % at 70 °C without condensation  |
| IP degree of protection               | IP66 on outdoor conforming to IEC 60529   |
| NEMA degree of protection             | NEMA 4X for outdoor installation  |
| IK degree of protection               | IK05 conforming to IEC 50102  |
| Mechanical durability                 | 1000000 cycles  |
| Shock resistance                      | 25 gn (duration = 6 ms) for 6000 shocks conforming to IEC 60068-2-27<br>30 gn (duration = 18 ms) for half sine wave acceleration conforming to IEC 60068-2-27<br>50 gn (duration = 11 ms) for half sine wave acceleration conforming to IEC 60068-2-27  |
| Vibration resistance                  | +/- 10 mm (f = 2...11 Hz) conforming to IEC 60068-2-6<br>5 gn (f = 11...500 Hz) conforming to IEC 60068-2-6   |
| Electromagnetic compatibility         | Immunity for industrial environments<br>Radiated emission<br>Electrostatic discharge immunity test (test level: 8 kV - in free air (in insulating parts))<br>Electrostatic discharge immunity test (test level: 6 kV - on contact (on metal parts))<br>Susceptibility to electromagnetic fields (test level: 10 V/m - 80...2000 MHz)<br>Susceptibility to electromagnetic fields (test level: 3 V/m - 80...2700 MHz, distance = 20 m) |
| Product certifications                | CCC<br>CSA<br>C-Tick<br>GOST<br>UL<br>BT 2006/95/EC   |
| Directives                            | 2004/108/EC - electromagnetic compatibility<br>1999/5/EC - R&TTE directive  |

## Offer Sustainability

|                                  |   |
|----------------------------------|---|
| Sustainable offer status         | Green Premium product   |
| RoHS (date code: YYWW)           | Compliant - since 1246 - Schneider Electric declaration of conformity<br><a href="#">Schneider Electric declaration of conformity</a> |
| REACH                            | Reference not containing SVHC above the threshold<br><a href="#">Reference not containing SVHC above the threshold</a>                |
| Product environmental profile    | Available<br><a href="#">Product Environmental Profile</a>  |
| Product end of life instructions | Available<br><a href="#">End of Life Information</a>  |

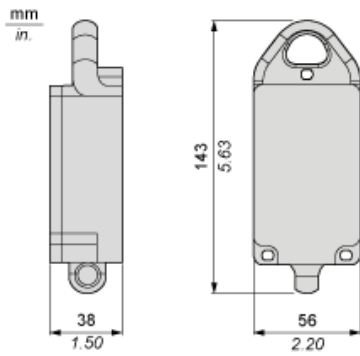
## Contractual warranty

|                 |           |
|-----------------|-----------|
| Warranty period | 18 months |
|-----------------|-----------|

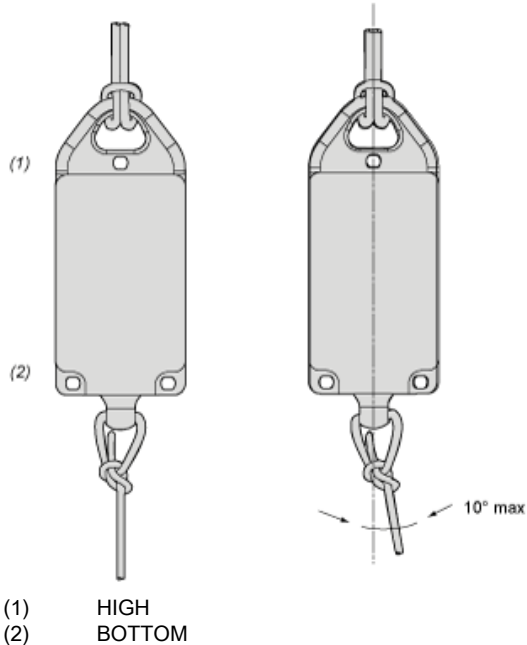
---

Wireless and Batteryless Rope Pull Switch Transmitter

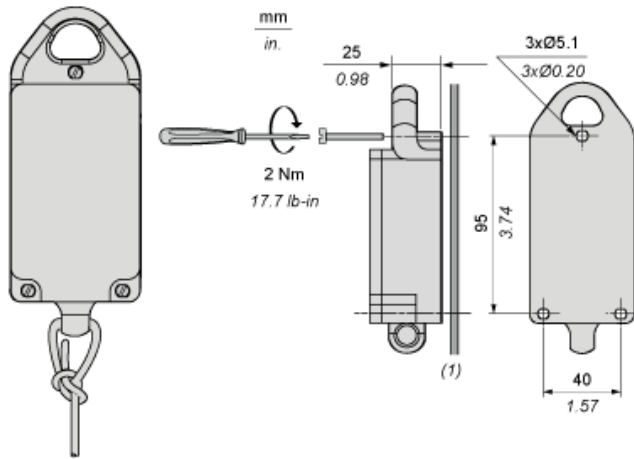
---



Transmitter Mounting



Transmitter Mounting on Flat Surface



(1) Installation on flat surface