



Main

Range of product	Harmony XB5
Product or component type	Illuminated emergency stop push-button
Device short name	XB5
Bezel material	Plastic
Fixing collar material	Plastic
Head type	Standard
Mounting diameter	22 mm
Sale per indivisible quantity	1
Local signalling	1 red LED 24 V DC 7.5 mA
Light source	LED
[Us] rated supply voltage	21.6...26.4 V
Light source colour	Red
Service life in hours	30000 h 25 °C
Shape of signaling unit head	Round
Type of operator	Trigger action and mechanical latching with mechanical state indicator
Reset	Turn to release
Operator profile	Red mushroom Ø 40 mm unmarked
Contacts type and composition	2 NC + 1 NO
Contact operation	Slow-break
Connections - terminals	Screw clamp terminals : ≤ 1.25 mm ² with cable end conforming to EN/IEC 60947-1 Screw clamp terminals : ≤ 1.25 mm ² without cable end conforming to EN/IEC 60947-1

Complementary

[Us] rated supply voltage	24 V DC 50 Hz
Supply voltage limits	21.6...26.4 V DC
Height	42 mm
Width	42 mm
Depth	79.5 mm
Terminals description ISO n°1	(11-12)NC (13-14)NO (21-22)NC
Product weight	0.094 kg

Contacts usage	Monitoring contact
Positive opening	With positive opening conforming to EN/IEC 60947-5-1 appendix K
Mechanical durability	100000 cycles
Tightening torque	0.8...1.5 N.m conforming to EN/IEC 60947-1
Shape of screw head	Cross head compatible with JIS No 2 screwdriver Cross head compatible with Philips No 2 screwdriver Slotted head compatible with flat Ø 5.5 mm screwdriver
Contacts material	Silver alloy - gold plated (Ag/Cu)
Short-circuit protection	10 A cartridge fuse type gG conforming to EN/IEC 60947-5
[I _{th}] conventional free air thermal current	5 A conforming to EN/IEC 60947-5-1
[U _i] rated insulation voltage	250 V (degree of pollution: 2) conforming to IEC 61140
[U _{imp}] rated impulse withstand voltage	2.5 kV conforming to EN/IEC 60947-1
[I _e] rated operational current	3 A at 120 V, AC-15, B300 conforming to EN/IEC 60947-5-1 1.5 A at 240 V, AC-15, B300 conforming to EN/IEC 60947-5-1 0.1 A at 250 V, DC-13, R300 conforming to EN/IEC 60947-5-1 0.22 A at 125 V, DC-13, R300 conforming to EN/IEC 60947-5-1
Electrical durability	100000 cycles, AC-15, 1.5 A at 240 V, operating rate: ≤ 1800 cyc/h, load factor: 0.4 conforming to EN/IEC 60947-5-1 appendix C 100000 cycles, AC-15, 3 A at 120 V, operating rate: ≤ 1800 cyc/h, load factor: 0.4 conforming to EN/IEC 60947-5-1 appendix C 100000 cycles, DC-13, 0.1 A at 250 V, operating rate: ≤ 1800 cyc/h, load factor: 0.4 conforming to EN/IEC 60947-5-1 appendix C 100000 cycles, DC-13, 0.22 A at 125 V, operating rate: ≤ 1800 cyc/h, load factor: 0.4 conforming to EN/IEC 60947-5-1 appendix C

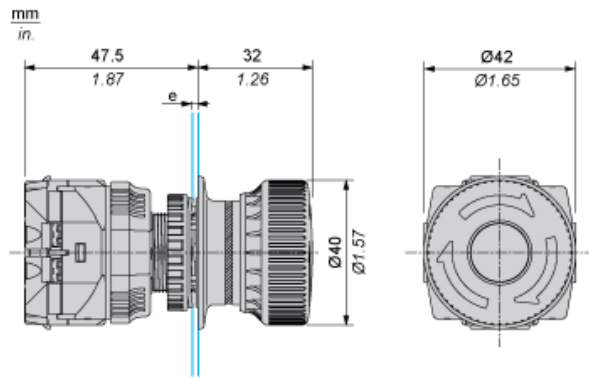
Environment

Ambient air temperature for storage	-40...80 °C
Ambient air temperature for operation	-20...50 °C
Overvoltage category	Class II conforming to IEC 61140
IP degree of protection	IP2x (back face) IP65 (front face) conforming to IEC 60529
Standards	EN/IEC 60204-1 EN/IEC 60947-1 EN/IEC 60947-5-1 EN/IEC 60947-5-5 EN/ISO 13850 JIS C 4520 UL 508 CSA C22.2 No 14
Product certifications	CSA UL listed
Vibration resistance	50 m/s ² 10...500 Hz IEC 60068-2-6
Shock resistance	150 m/s ² (duration = 11 ms) for half sine wave acceleration conforming to IEC 60068-2-27

Offer Sustainability

REACH	Reference not containing SVHC above the threshold Reference not containing SVHC above the threshold
-------	--

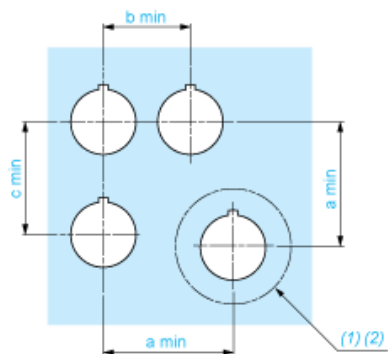
Dimensions



(e) Clamping thickness: 1 mm to 6 mm / 0.03 in to 0.24 in

Panel Cut-out for Emergency Stop Push Button (Finished Holes, Ready for Installation)

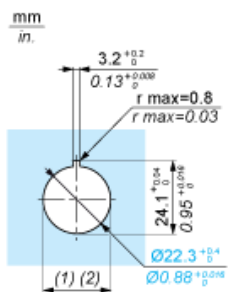
Connection by Screw Clamp Terminals



- (1) Diameter on finished panel or support
- (2) Ø42 mm recommended / Ø1.65 in. recommended (Head diameter)

Connections	a in mm	a in in.	b in mm	b in in.	c in mm	c in in.
By screw terminals	45	1.77	30	1.18	40	1.57

Connection by Screw Clamp Terminals



- (1) Diameter on finished panel or support
- (2) Ø22.5 mm recommended (Ø22.3 0+0.4) / Ø0.89 in. recommended (Ø0.88 in. 0+0.016)