

Main

Range of product	Preventa Safety detection
Accessory / separate part category	Mounting and fixing accessories
Accessory / separate part type	Fixing accessory
Product compatibility	XUSZWPE...
Accessory / separate part destination	Protective cover

Complementary

Ambient air temperature for operation	-10...50 °C 14...121 °F
Ambient air temperature for storage	-25...70 °C -13...158 °F
Kit composition	4 fixation clamp(s) stainless steel 4 end clamp(s) stainless steel
Product weight	0.15 kg

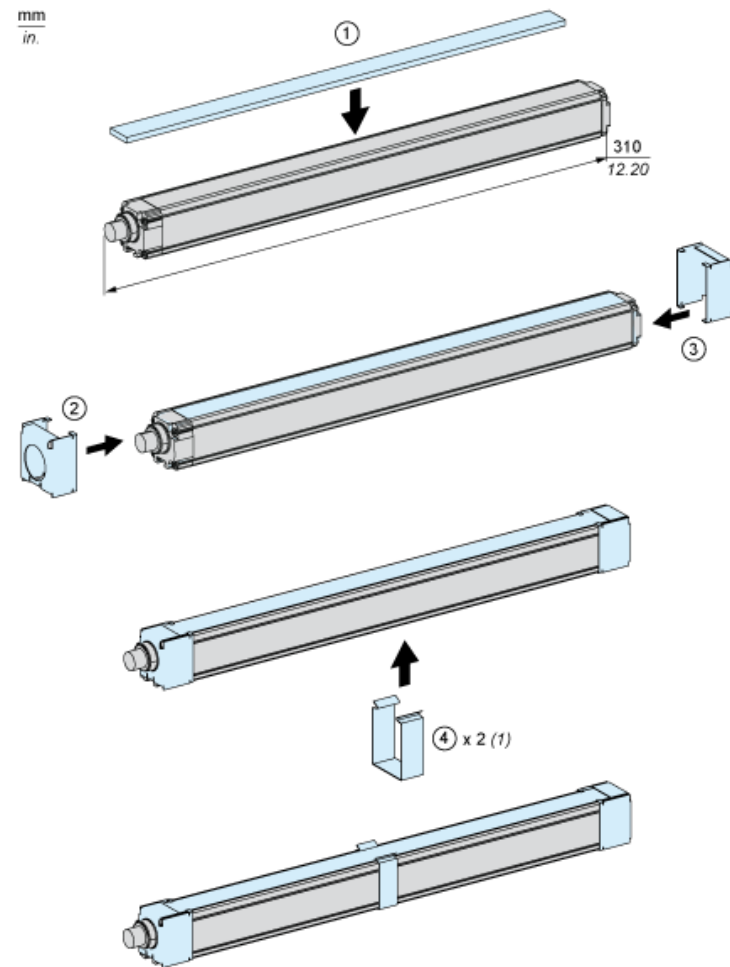
Offer Sustainability

Sustainable offer status	Green Premium product
RoHS (date code: YYWW)	Compliant - since 1425 - Schneider Electric declaration of conformity Schneider Electric declaration of conformity
REACH	Reference not containing SVHC above the threshold Reference not containing SVHC above the threshold
Product environmental profile	Available Product Environmental Profile
Product end of life instructions	Available End of Life Information

Disclaimer: This documentation is not intended as a substitute for and is not to be used for determining suitability or reliability of these products for specific user applications

Mounting and Clearance

Various Stages in the Protective Screen Assembly



(1) Depending on the length