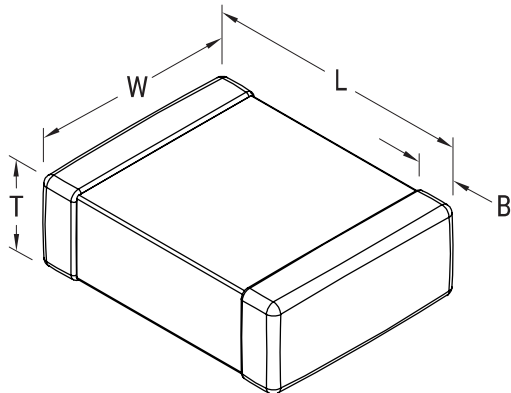


**KEMET Part Number: C2225C131JKGACTU**  
(C2225C131JKGAC7800)

SMD Comm COG HV, Ceramic, 130 pF, 5%, 10000 VDC, COG, SMD, MLCC, Ultra-Stable, Low Loss, Class I, 2225



**Dimensions**

Dimension	Value
L	5.6mm +/-0.4mm
W	6.4mm +/-0.4mm
T	2.5mm +/-0.20mm
B	0.6mm +/-0.35mm

**Packaging Specifications**

<b>Packaging:</b>	T&R, 180mm, Plastic Tape
<b>Packaging Quantity:</b>	500

**General Information**

<b>Supplier:</b>	KEMET
<b>Series:</b>	SMD Comm COG HV
<b>Style:</b>	SMD Chip
<b>Description:</b>	SMD, MLCC, Ultra-Stable, Low Loss, Class I
<b>Features:</b>	Ultra-Stable, Low Loss, Class I
<b>RoHS:</b>	Yes
<b>Termination:</b>	Tin
<b>Marking:</b>	No
<b>Chip Size:</b>	2225
<b>Shelf Life:</b>	78 Weeks
<b>MSL:</b>	1

**Specifications**

<b>Capacitance:</b>	130 pF
<b>Capacitance Tolerance:</b>	5%
<b>Voltage DC:</b>	10000 VDC
<b>Dielectric Withstanding Voltage:</b>	12000 VDC
<b>Temperature Range:</b>	-55/+125°C
<b>Temperature Coefficient:</b>	COG
<b>Dissipation Factor:</b>	0.10% 1MHz 25C
<b>Aging Rate:</b>	0% Loss/Decade Hour
<b>Insulation Resistance:</b>	100 GOhms