

# EXTERNAL DESKTOP POWER SUPPLY 12VDC 15WATT



## SW3113-C2

### Features:

- Universal Input
- IEC-320-C8 Input Connector
- 3 Year Warranty
- Efficiency Level VI
- Safety approved to: UL,CUL,FCC,GS,CE,RCM



### Description:

The Stontronics Range of 15 watt AC/DC switch mode power supplies provide 15 watts of continuous output power in a high quality compact enclosure suitable for many general power applications.

Specification	
Part Code	SW3113-C2
Input Voltage Range	100 → 240 Vac
Input Frequency Range	50 → 60Hz
Input Connector	IEC 320-C8
Input Current Rated	0.6A max.
Inrush current	NO DAMAGE
Leakage Current	0.25mA.
Efficiency	84.5%
Input Power (Output: No Load)	Max. 0.1W
Output Voltage Rating	12Vdc
Output Current Range	1.25A
Output Min Current	0A
Output Connection Type	2.1 x 5.5 x 12 mm centre positive – Straight
Line and Load Regulation	LOAD +/-5% LINE +/-5%
Over Voltage Protection	The output voltage shall be clamped by internal protection.
Over Load Protection	The output voltage shall be clamped by internal protection.
Short Circuit Protection	The adapter shall not be damaged by short the DC output to Ground. The adapter shall resume normal operation when a short circuited fault condition is removed
Ripple Voltage	150 mV (p-p) (100-240 Vac Input )
Hi-Pot	3000Vac,5m A, 1 minute.
Safety Approved	UL,CSA, GS, CE, UK, RCM
EMI Standard	FCC part 15: Class B, EN55022, Class B, GB9254, GB17625.1.
Operating Temperature Range	0° → +40 °C
Storage Temperature	-20° → 80°C
Operating Humidity	10% to 90%
Storage Humidity	10% to 90%
Dimensions	(L) 101 x (W) 43.3 x (H) 31.3mm
Product Weight	123g
Regulator Type	Switched Mode Power Supply

General Note  
TT Electronics reserves the right to make changes in product specification without notice or liability. All information is subject to TT Electronics' own data and is considered accurate at time of going to print.

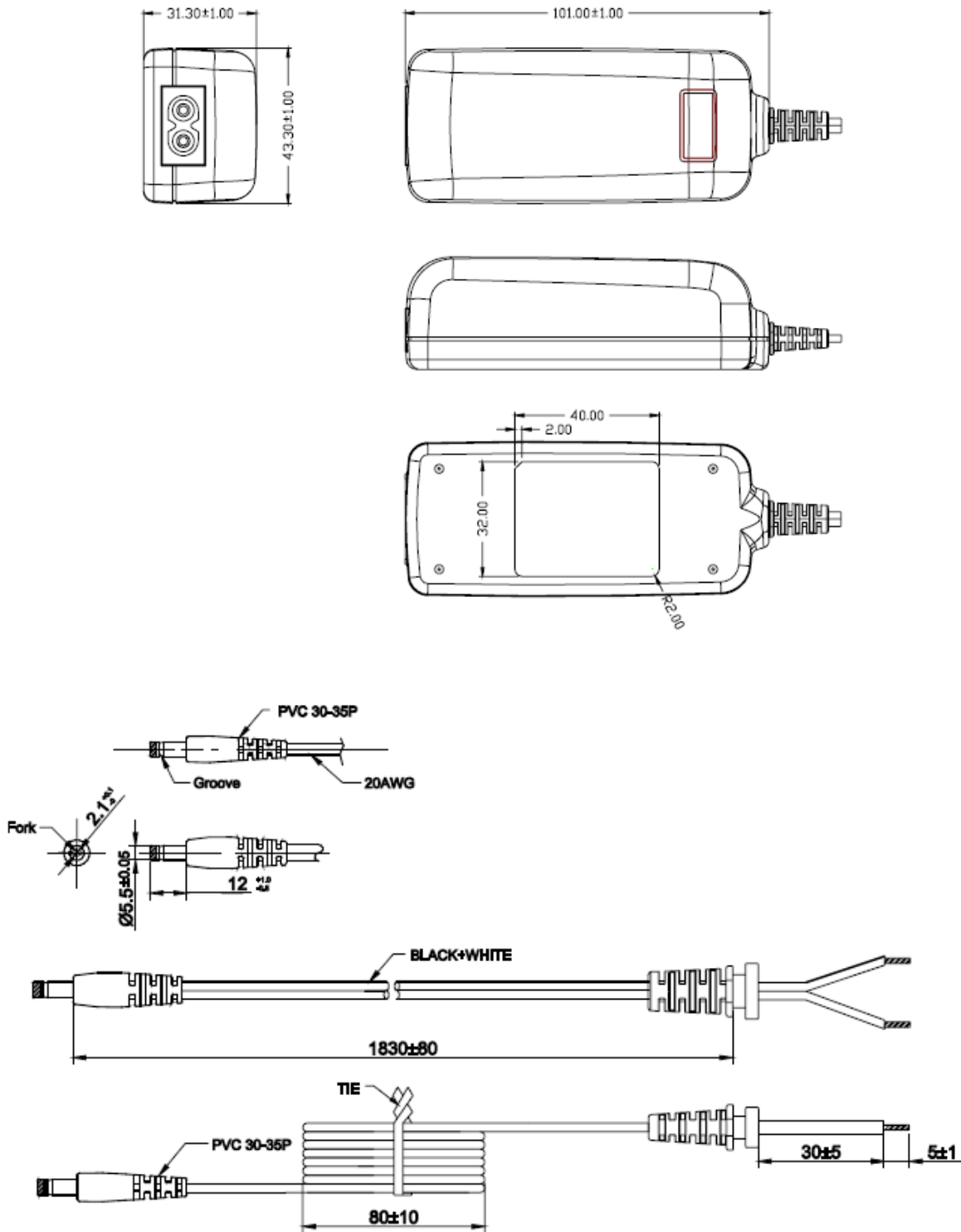
TT Electronics | Stontronics Ltd  
Chancerygate Business Centre, Cradock Road, Reading RG2 0AH, UK  
t: +44 (0) 118 931 1199

# EXTERNAL DESKTOP POWER SUPPLY 12VDC 15WATT



SW3113-C2

## Diagrams



General Note  
 TT Electronics reserves the right to make changes in product specification without notice or liability. All information is subject to TT Electronics' own data and is considered accurate at time of going to print.

TT Electronics | Stontronics Ltd  
 Chancerygate Business Centre, Cradock Road, Reading RG2 0AH, UK  
 t: +44 (0) 118 931 1199