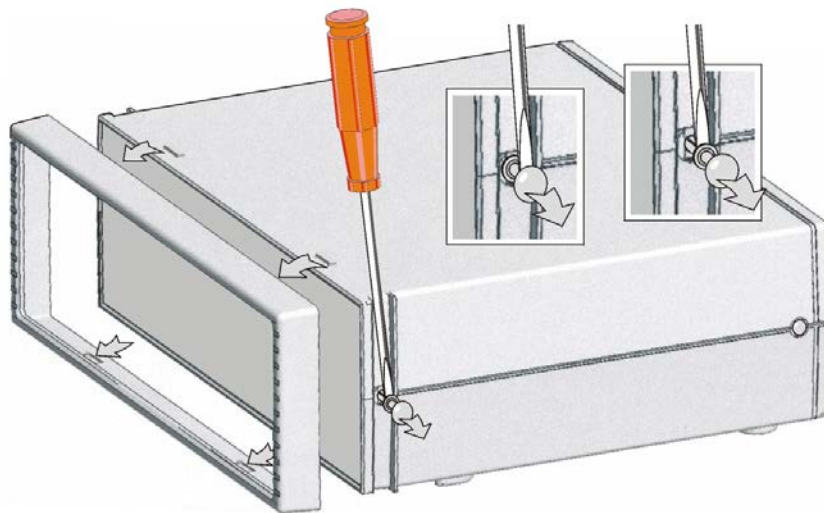

Assembly Instructions for the RM50A 19" Rack

The RM50A 19" rack is for use with instruments in the later TTi plastic instrument case, identified by the single-position tilt stand, see diagrams.

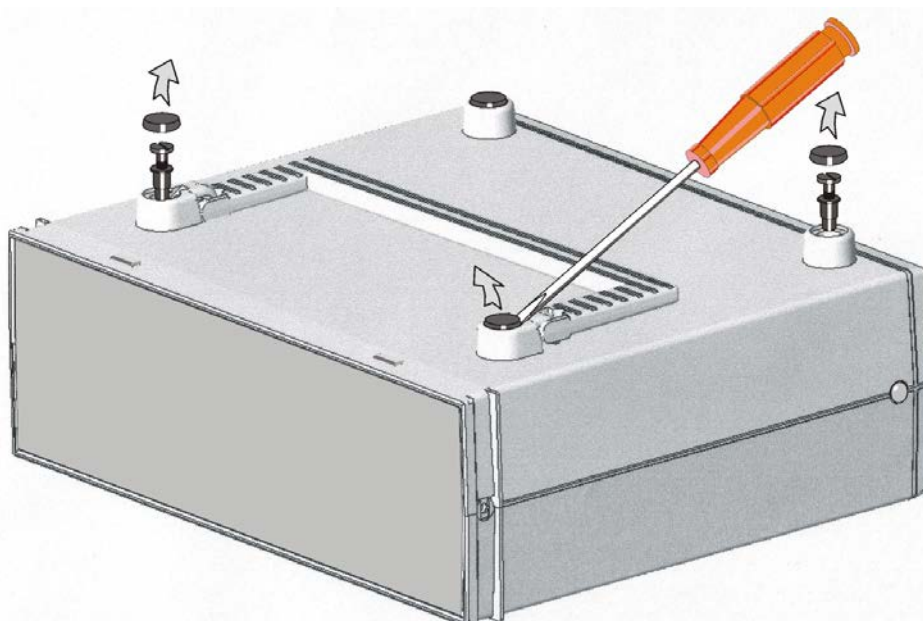
Warning: Disconnect the instrument from all voltage sources before fitting to the rack.

1. Unclip the front bezel by gently pulling the centre of each long edge up and forward. The case halves are held together by 4 plastic push-rivets. Using the blade of a small screwdriver in the slot beside each of the **front rivets only**, first ease out the rivet head and then fully remove the rivet pin followed by the rivet body.

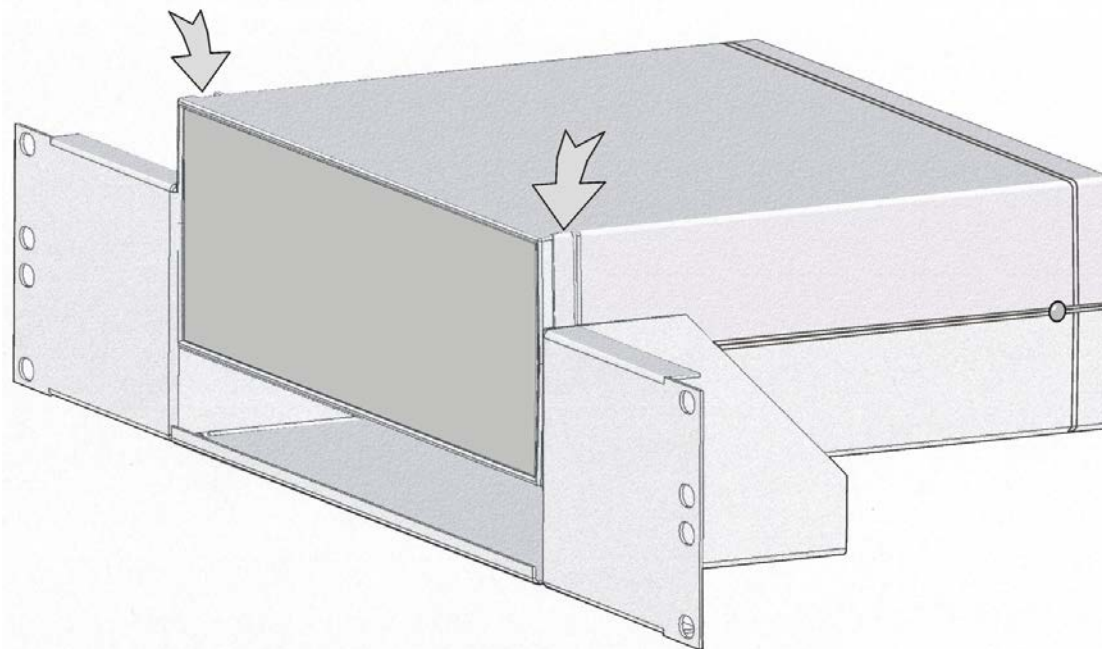


2. Holding the 2 case halves together at the front, to stop them separating, turn the instrument over to give access to the feet and tilt stand.

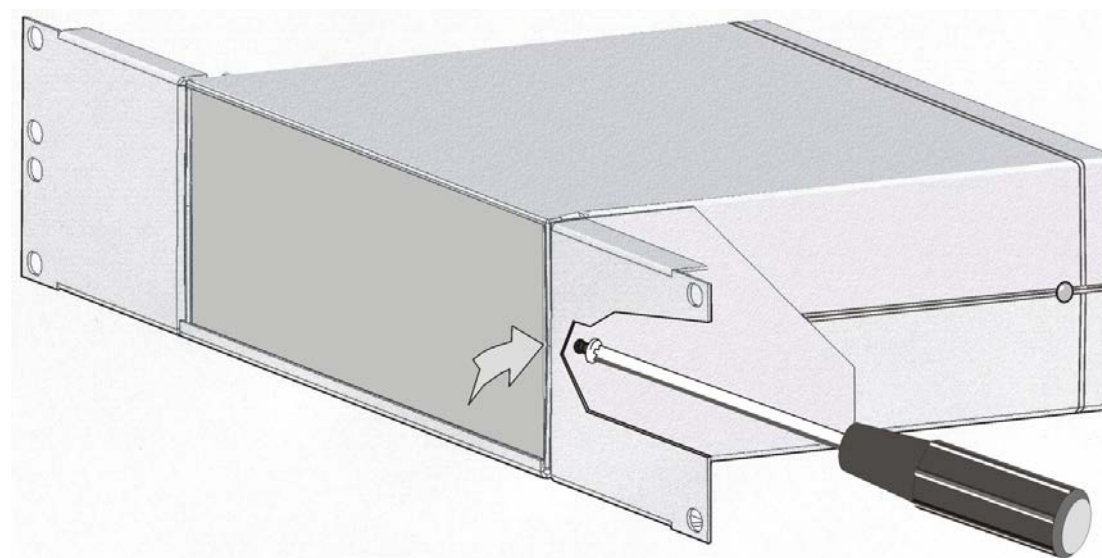
Remove the 4 self-adhesive rubber feet using the blade of a small screwdriver. Unscrew the slotted-head black screw-rivets completely and pull out the body of the rivets. The rear feet will come free with the rivet body; the front feet can be lifted free by raising the front edge so that the rear hook can be disengaged.



3. Holding the 2 case halves together at the front, to stop them separating, turn the instrument the right way up and slide it into the rack as shown. The two short ribs at the front of the case base should locate in the slots in the base of the rack and the 2 threaded bosses in the sides of the rack should align with the 2 push-rivet holes in the case.



4. Fully screw the 2 M4 x 10mm screws (supplied) into the threaded bosses, keeping gentle pressure on the front corners of the case as the screw threads into the case push-rivet hole.



Thurlby Thandar Instruments

Glebe Road • Huntingdon • Cambridgeshire • PE29 7DR • England (United Kingdom)

Telephone: +44 (0)1480 412451 • Fax: +44 (0)1480 450409

International web site: www.aimtti.com

Email: info@aimtti.com

