



Main

Range of product	OsiSense XU
Series name	Application assembly Application material handling
Electronic sensor type	Photo-electric sensor
Sensor name	XUK
Sensor design	Compact 50 x 50
Detection system	Diffuse distance sensor
Material	Plastic
Type of output signal	Analogue + discrete
Wiring technique	5-wire
Discrete output type	PNP or NPN
Discrete output function	1 NO or 1 NC programmable
Analogue output range	0...10 V
Electrical connection	1 male connector M12, 5 pins
Product specific application	Distance measurement on object
Emission	Red laser diffuse distance sensor (class 1) conforming to IEC 60825-1
[Sn] nominal sensing distance	5 m diffuse distance sensor

Complementary

Enclosure material	ABS/PC
Lens material	PMMA
Maximum sensing distance	5 m diffuse distance sensor
Output type	Analog Solid state
Add on input	External teach
Status LED	1 LED (yellow) for output state 1 LED (green/yellow) for supply on/output state
[Us] rated supply voltage	24 V DC with reverse polarity protection
Supply voltage limits	18...30 V DC
Switching capacity in mA	<= 100 mA (overload and short-circuit protection)
Switching frequency	<= 500 Hz
Voltage drop	<= 2 V

Current consumption	<= 60 mA (no-load)
Delay first up	< 300 ms
Delay response	< 1.2 ms
Delay recovery	< 1.2 ms
Setting-up	Using teach button or remote teaching
Depth	50 mm
Height	50 mm
Width	23 mm
Product weight	0.035 kg

Environment

Product certifications	CE cULus Ecolab
Ambient air temperature for operation	-40...60 °C -20...50 °C, UL certified
Ambient air temperature for storage	-40...80 °C
Vibration resistance	7 gn, amplitude = +/- 1.5 mm (f = 10...55 Hz) conforming to IEC 60068-2-6
Shock resistance	30 gn (duration = 11 ms) conforming to IEC 60068-2-27
IP degree of protection	IP67 conforming to IEC 60529 IP69K conforming to DIN 40050

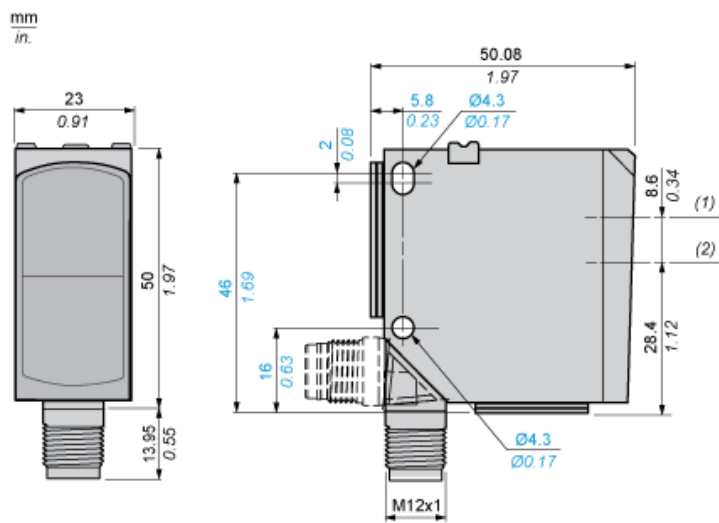
Offer Sustainability

RoHS (date code: YYWW)	Will not be compliant Will not be compliant
------------------------	--

Contractual warranty

Warranty period	18 months
-----------------	-----------

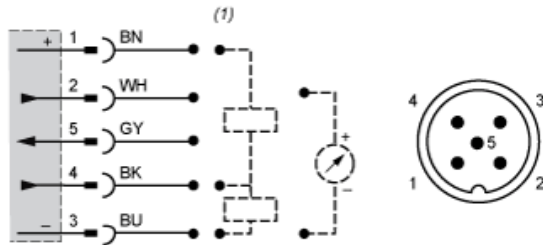
Dimensions



- (1) Transmitter optical axis
- (2) Receiver optical axis

Connections and Schema

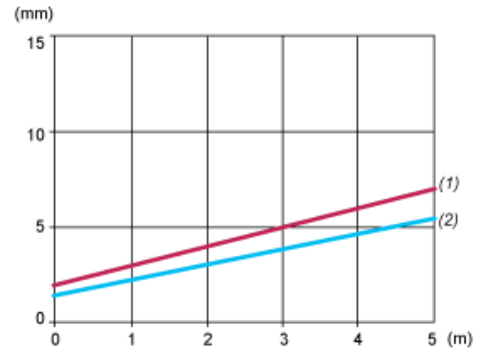
Connector Wiring



- (1) Auto-detect
- 1: + UB (BN: Brown)
- 2: QA (WH: White)
- 3: -UB (BU: Blue)
- 4: Q (BK: Black)
- 5: IN (GY: Grey)

Curves

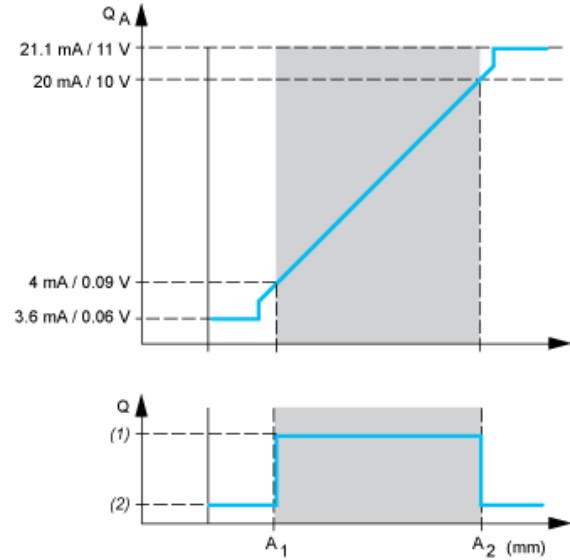
Size of light spot (typical)



- (1) Vertical (y)
 - (2) Horizontal (x)
- 0...15 mm: Size
0...5 m : Distance

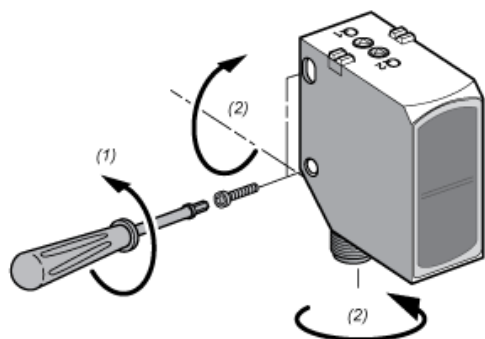
Curves

Output characteristic curve



QA : Analogue output
Q : Switching output
(1) High
(2) Low

Mounting



- (1) < 1,5 Nm (13 lb-in)
- (2) < 1 Nm (8.85 lb-in)