



## Main

Range of product	OsiSense XU
Series name	Application material handling Application assembly
Electronic sensor type	Photo-electric sensor
Sensor name	XUK
Sensor design	Compact 50 x 50
Detection system	Diffuse with background suppression
Material	Plastic
Type of output signal	Discrete
Wiring technique	4-wire
Discrete output type	PNP or NPN
Discrete output function	1 NO or 1 NC programmable
Electrical connection	1 male connector M12, 4 pins
Product specific application	Distance measurement on object Suppression of a background
Emission	Red laser diffuse with background suppression (class 1) conforming to IEC 60825-1
[Sn] nominal sensing distance	5 m diffuse with background suppression

## Complementary

Enclosure material	ABS/PC
Lens material	PMMA
Maximum sensing distance	5 m diffuse with background suppression
Output type	Solid state
Add on input	External teach
Wire insulation material	PVC
Status LED	1 LED (yellow) for output state 1 LED (green/yellow) for supply on/output state
[Us] rated supply voltage	12...24 V DC reverse polarity protection
Supply voltage limits	10...30 V DC
Switching capacity in mA	<= 100 mA (overload and short-circuit protection)
Switching frequency	<= 250 Hz
Voltage drop	<= 1.5 V (closed state)

Disclaimer: This documentation is not intended as a substitute for and is not to be used for determining suitability or reliability of these products for specific user applications

Current consumption	<= 60 mA (no-load)
Delay first up	< 300 ms
Delay response	< 2 ms
Delay recovery	< 2 ms
Setting-up	Using teach button or remote teaching
Depth	50 mm
Height	50 mm
Width	23 mm
Product weight	0.035 kg

## Environment

Product certifications	CE Ecolab cULus
Ambient air temperature for operation	-40...60 °C -20...50 °C, UL certified
Ambient air temperature for storage	-40...80 °C
Vibration resistance	7 gn, amplitude = +/- 1.5 mm (f = 10...55 Hz) conforming to IEC 60068-2-6
Shock resistance	30 gn (duration = 11 ms) conforming to IEC 60068-2-27
IP degree of protection	IP67 conforming to IEC 60529 IP69K conforming to DIN 40050

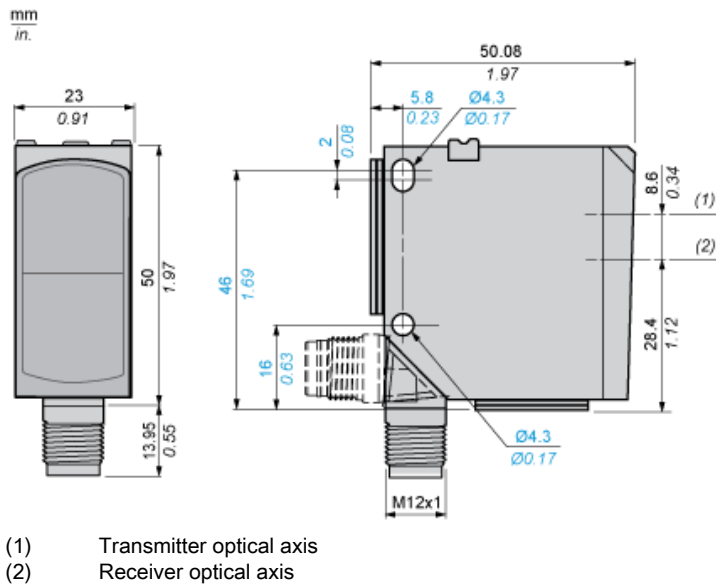
## Offer Sustainability

RoHS (date code: YYWW)	Will not be compliant Will not be compliant
------------------------	--

## Contractual warranty

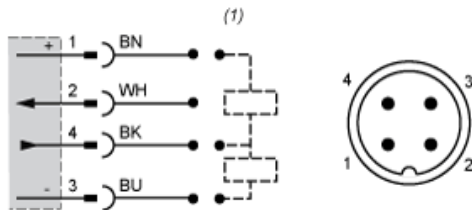
Warranty period	18 months
-----------------	-----------

## Dimensions



## Connections and Schema

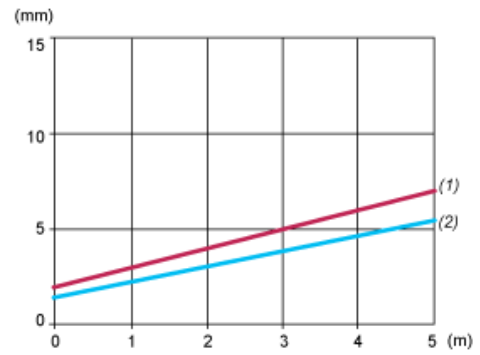
### Connector Wiring



- (1) Auto-detect  
1: + UB (BN: Brown)  
2: IN (WH: White)  
3: -UB (BU: Blue)  
4: OUT (BK: Black)

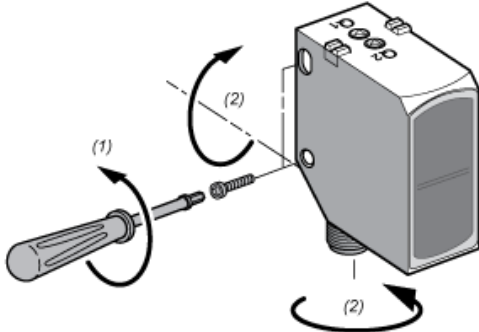
Curves

Size of light spot (typical)



(1) Vertical (y)  
(2) Horizontal (x)  
0...15 mm: Size  
0...5 m : Distance

Mounting



- (1) < 1,5 Nm (13 lb-in)
- (2) < 1 Nm (8.85 lb-in)