



Main

| | |
|-------------------------------|--|
| Range of product | OsiSense XU |
| Series name | General purpose single mode |
| Electronic sensor type | Photo-electric sensor |
| Sensor name | XUK |
| Sensor design | Compact 50 x 50 |
| Detection system | Polarised reflex |
| Material | Plastic |
| Type of output signal | Discrete |
| Supply circuit type | DC |
| Wiring technique | 3-wire |
| Discrete output type | NPN |
| Discrete output function | 1 NO |
| Electrical connection | 1 male connector M12, 4 pins |
| Product specific application | - |
| Emission | Red polarised reflex |
| [Sn] nominal sensing distance | 6 m polarised reflex need reflector XUZC50 |

Complementary

| | |
|---------------------------|---|
| Enclosure material | PBT |
| Lens material | PMMA |
| Maximum sensing distance | 8 m polarised reflex |
| Output type | Solid state |
| Wire insulation material | PVC |
| Status LED | 1 LED (yellow) for output state |
| [Us] rated supply voltage | 12...24 V DC reverse polarity protection |
| Supply voltage limits | 10...36 V |
| Switching capacity in mA | <= 100 mA (overload and short-circuit protection) |
| Switching frequency | <= 250 Hz |
| Voltage drop | <= 1.5 V (closed state) |
| Current consumption | <= 35 mA (no-load) |
| Delay first up | < 15 ms |

| | |
|----------------|--------------------------------|
| Delay response | < 2 ms |
| Delay recovery | < 2 ms |
| Setting-up | Without sensitivity adjustment |
| Depth | 50 mm |
| Height | 50 mm |
| Width | 18 mm |
| Product weight | 0.19 kg |

Environment

| | |
|---------------------------------------|---|
| Product certifications | CE CSA UL |
| Ambient air temperature for operation | -25...55 °C |
| Ambient air temperature for storage | -40...70 °C |
| Vibration resistance | 7 gn, amplitude = +/- 1.5 mm (f = 10...55 Hz) conforming to IEC 60068-2-6 |
| Shock resistance | 30 gn (duration = 11 ms) conforming to IEC 60068-2-27 |
| IP degree of protection | IP65 double insulation conforming to IEC 60529 |

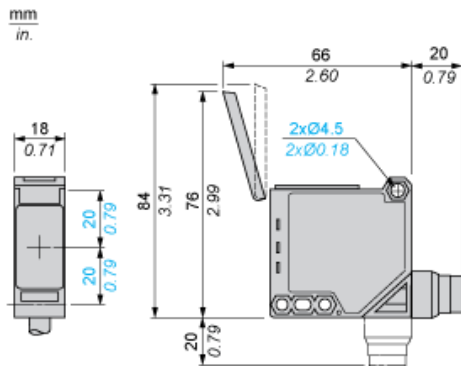
Offer Sustainability

| | |
|------------------------|---|
| RoHS (date code: YYWW) | Compliant - since 0841 - Schneider Electric declaration of conformity Schneider Electric declaration of conformity |
| REACH | Reference not containing SVHC above the threshold Reference not containing SVHC above the threshold |

Contractual warranty

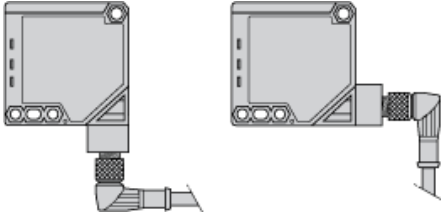
| | |
|-----------------|-----------|
| Warranty period | 18 months |
|-----------------|-----------|

Dimensions



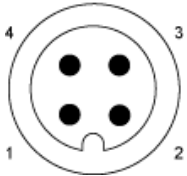
Mounting and Clearance

Possible Orientation of Elbowed Connector



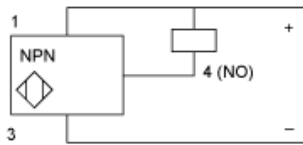
Wiring Schemes

M12 Connector

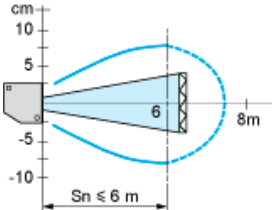


- 1 : (+)
- 3 : (-)
- 4 : OUT/Output

NPN Outputs



Detection Curves



With reflector XUZC50