



Main

Range of product	OsiSense XU
Series name	Application, materials handling
Electronic sensor type	Photo-electric sensor
Sensor name	XUY
Sensor design	Compact
Detection system	Diffuse with background suppression
Material	Plastic
Type of output signal	Discrete
Supply circuit type	DC
Wiring technique	4-wire
Discrete output type	PNP and NPN
Discrete output function	1 NO or 1 NC programmable
Electrical connection	1 male connector M8, 4 pins
Product specific application	Control of level Detection of components on a printed circuit Monitoring for crack on a component Monitoring of small parts on production machine Suppression of a background
Emission	Red laser, pulsed (class 2), wavelength: 675 nm
[Sn] nominal sensing distance	50...300 mm

Complementary

Enclosure material	Glass impregnated nylon
Lens material	PMMA
Spot diameter	0 mm manual adjustment
Minimum object diameter for detection	0.5 mm
Output type	Solid state
Status LED	1 LED (green) for output state 1 LED (red) for time delay active 1 LED (none) for NC function 1 LED (red) for NO function
[Us] rated supply voltage	12...24 V DC with reverse polarity protection
Supply voltage limits	10...30 V DC

Switching capacity in mA	100 mA (overload and short-circuit protection)
Switching frequency	> 5 kHz
Voltage drop	< 2 V (closed state)
Current consumption	35 mA
Delay response	40 ms for output circuit depending on wiring
Delay recovery	150 µs
Setting-up	Manual adjustment of focusing
Product weight	0.081 kg

Environment

Product certifications	CE cULus
Ambient air temperature for operation	0...50 °C
Ambient air temperature for storage	-20...60 °C
Immunity to ambient light	10000 lux with natural light 500 lux with incandescent bulb
IP degree of protection	IP65 conforming to IEC 60529

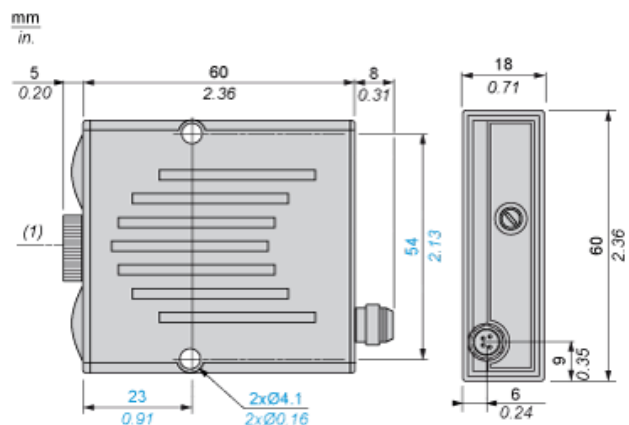
Offer Sustainability

RoHS (date code: YYWW)	Compliant - since 0708 - Schneider Electric declaration of conformity Schneider Electric declaration of conformity
REACH	Reference not containing SVHC above the threshold Reference not containing SVHC above the threshold

Contractual warranty

Warranty period	18 months
-----------------	-----------

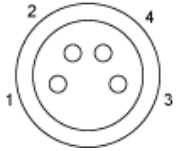
Dimensions



(1) Optical axis of laser

Wiring Schemes

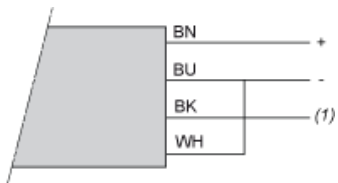
M8 Connector



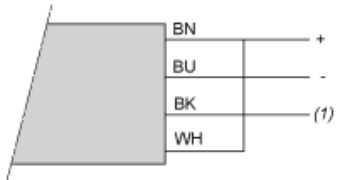
- 1 : Brown
- 2 : White
- 3 : Blue
- 4 : Black

NO Function

Without time delay



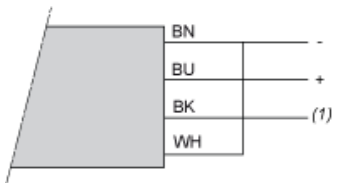
With 40 ms time delay



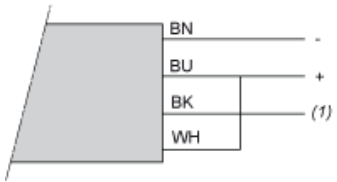
- BN : Brown
- WH : White
- BU : Blue
- BK : Black
- (1) Output

NC Function

Without time delay



With 40 ms time delay



BN : Brown
WH : White
BU : Blue
BK : Black
(1) Output