



### Main

Range of product	OsiSense XT
Sensor type	Capacitive proximity sensor
Product specific application	Detection of insulated materials
Sensor name	XT7
Sensor design	Form 40 x 40 x 117
Size	117 mm
Body type	Plug-in body
Detector flush mounting acceptance	Flush mountable
Material	Plastic
Enclosure material	Plastic
Type of output signal	Discrete
Wiring technique	4-wire
[Sn] nominal sensing distance	15 mm
Discrete output function	1 NC + 1 NO
Output circuit type	DC
Discrete output type	PNP
Electrical connection	Screw clamp terminal 4 x 1.5 mm <sup>2</sup>
[Us] rated supply voltage	12...48 V DC
Delay response	<= 5 ms
IP degree of protection	IP67 conforming to IEC 60529

### Complementary

Detection face	5 positions turret head
Differential travel	< 0.2 x Sr
Repeat accuracy	< 0.1 x Sr
Cable entry	1 entry tapped for Pg 13.5 cable gland
Status LED	1 LED (green) for supply state indication 1 LED (yellow) for output state indication
Supply voltage limits	10...58 V DC
Protection type	Short-circuit protection
Switching frequency	<= 100 Hz

Disclaimer: This documentation is not intended as a substitute for and is not to be used for determining suitability or reliability of these products for specific user applications

Voltage drop	<= 2 V (closed)
Current consumption	<= 10 mA
Delay first up	<= 30 ms
Delay recovery	<= 5 ms
Maximum switching current	200 mA
Marking	CE
Setting-up	Sensitivity by potentiometer
Depth	40 mm
Height	117 mm
Width	40 mm
Product weight	0.22 kg

## Environment

Product certifications	CSA UL
Ambient air temperature for operation	-25...70 °C

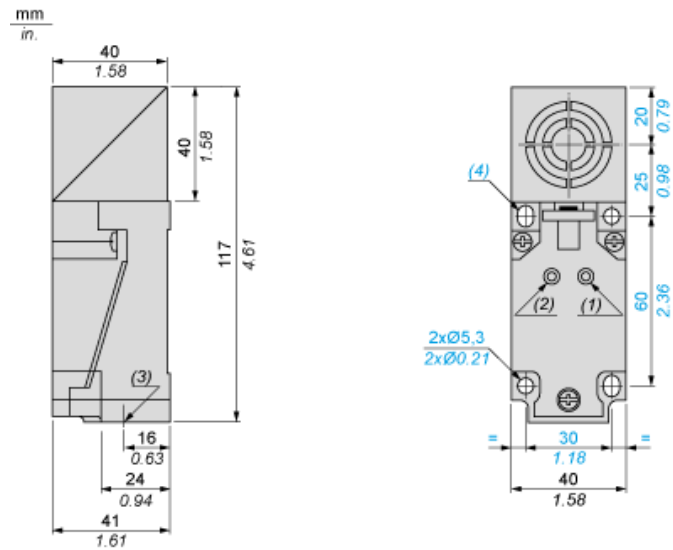
## Offer Sustainability

RoHS (date code: YYWW)	Will be compliant on 3Q2013 Will be compliant on 3Q2013
------------------------	--

## Contractual warranty

Warranty period	18 months
-----------------	-----------

Dimensions



- (1) Output LED
- (2) Supply LED
- (3) 1 tapped entry for 13P cable gland
- (4) 2 elongated holes Ø 5.3 x 7

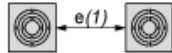
---

Setting-up

---

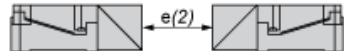
Minimum Mounting Distances (mm)

Side by side



$e(1) \geq 40$

Face to face



$e(2) \geq 120$

---

## Wiring Diagram

---

3-wire DC NO + NC Output

