



Main

| | |
|------------------------------------|--|
| Range of product | OsiSense XS |
| Series name | General purpose |
| Sensor type | Inductive proximity sensor |
| Device application | Mobile equipment |
| Sensor name | XS1 |
| Sensor design | Cylindrical M30 |
| Size | 55 mm |
| Body type | Fixed |
| Detector flush mounting acceptance | Flush mountable |
| Material | Metal |
| Type of output signal | Discrete |
| Wiring technique | 3-wire |
| [Sn] nominal sensing distance | 15 mm |
| Discrete output function | 1 NC |
| Output circuit type | DC |
| Discrete output type | PNP |
| Electrical connection | M12 male connector, 4 pins |
| [Us] rated supply voltage | 12...24 V DC with reverse polarity protection |
| Switching capacity in mA | <= 200 mA with overload and short-circuit protection |
| IP degree of protection | IP65 conforming to IEC 60529 IP67 conforming to IEC 60529 |
| Sale per indivisible quantity | 1 |

Complementary

| | |
|----------------|-----------|
| Thread type | M30 x 1.5 |
| Detection face | Frontal |
| Front material | PPS |

| | |
|-----------------------|---------------------------------|
| Enclosure material | Nickel plated brass |
| Operating zone | 0...12 mm |
| Differential travel | 1...15% of Sr |
| Status LED | 1 LED (yellow) for output state |
| Supply voltage limits | 10...36 V DC |
| Switching frequency | <= 500 Hz |
| Voltage drop | <= 2 V (closed state) |
| Current consumption | <= 10 mA (no-load) |
| Delay first up | <= 10 ms |
| Delay response | <= 0.6 ms |
| Delay recovery | <= 1.4 ms |
| Marking | CE |
| Threaded length | 32 mm |
| Length | 55 mm |
| Product weight | 0.13 kg |

Environment

| | |
|---------------------------------------|---|
| Product certifications | CSA UL E2 |
| Ambient air temperature for operation | -25...70 °C |
| Ambient air temperature for storage | -40...85 °C |
| Vibration resistance | 25 gn, amplitude: +/- 2 mm (f = 10...55 Hz) conforming to IEC 60068-2-6 |
| Shock resistance | 50 gn (duration = 11 ms) conforming to IEC 60068-2-27 |

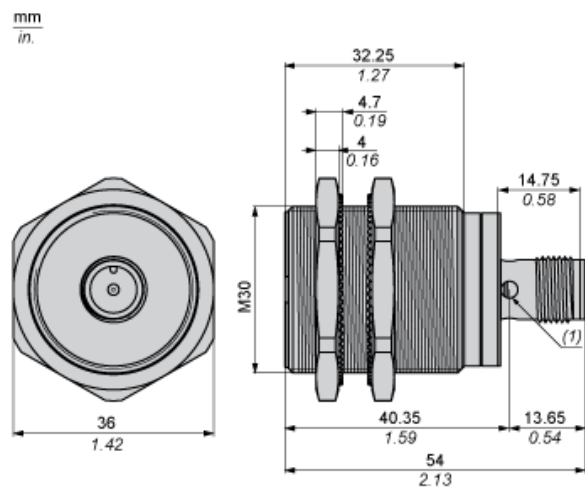
Offer Sustainability

| | |
|----------------------------------|---|
| Sustainable offer status | Green Premium product |
| RoHS (date code: YYWW) | Compliant - since 0838 - Schneider Electric declaration of conformity Schneider Electric declaration of conformity |
| REACH | Reference not containing SVHC above the threshold Reference not containing SVHC above the threshold |
| Product environmental profile | Available End of Life Information |
| Product end of life instructions | Available |

Contractual warranty

| | |
|-----------------|-----------|
| Warranty period | 18 months |
|-----------------|-----------|

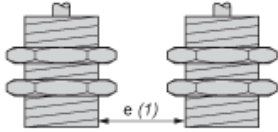
Dimensions



(1) LED

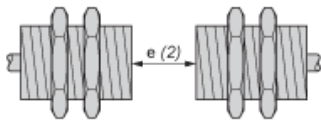
Minimum Mounting Distances

Side by side



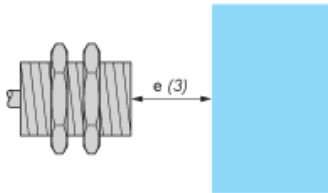
$e (1) \geq 30 \text{ mm}/1.18 \text{ in.}$

Face to face



$e (2) \geq 180 \text{ mm}/7.09 \text{ in.}$

Facing a metal object



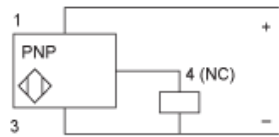
$e (3) \geq 45 \text{ mm}/1.77 \text{ in.}$

Wiring Schemes

M12 connector



PNP



- 1 : (+)
- 2 : NC Output
- 3 : (-)
- 4 : Not connected