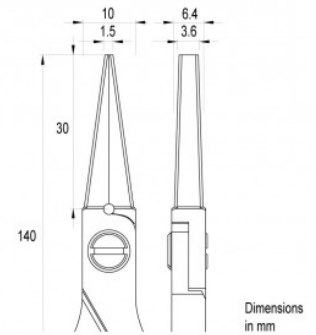




ES6014.CR.BG

High precision Ergo-tek Slim Pliers - Long Flat Nose, Serrated Jaws. OAL: 140 mm. ESD safe



Flat nose pliers feature a very fine tip, smooth or serrated jaws and inner edges.

High precision Cutters & Pliers leaflet

Documents

Grip handle material TDS

Product Details

Market - MEDICAL DEVICE	yes
Market - LIFE SCIENCE & MICROSCOPY	yes
Market - ELECTRONICS	yes
Market - WATCHMAKING & JEWELRY	yes
Category	High Precision Pliers
Kit	no
ESD safe	yes
Body material	100Cr6
Grip handle material	Ergo-tek Slim - TPE + PP

Head shape	Flat Nose
Head width (mm - in) - C	10.00 - 0.394
Size/type	Long
Jaw (smooth/serrated)	Serrated
OAL (mm - in) - A	140.00 - 5.512
B (mm - in)	30.00 - 1.181
Head thickness (mm - in) - D	6.40 - 0.252
E (mm - in)	1.50 - 0.059
F (mm - in)	3.60 - 0.142
Net weight (g-lb)	84 - 0.185
RoHS compliant	yes



© 2019 IDEAL-TEK SA

via Giuseppe Motta 4, 6828 Balerna - Switzerland

T +41 91 683 32 29 - F +41 91 683 03 71 - E info@ideal-tek.com