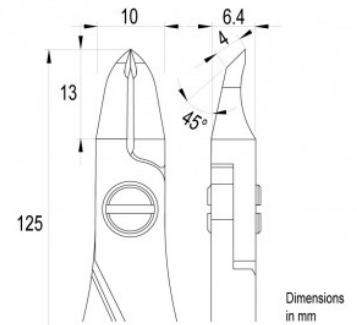




## ES5245.CR.BG

High precision Ergo-tek Slim Cutters - Oblique Narrow head, full-flush. OAL: 125 mm. ESD safe



Angulated cutter to maximize accessibility and visibility when limited space.

*High precision Cutters & Pliers leaflet*

## Documents

 Grip handle material TDS

## Product Details

Market - MEDICAL DEVICE	yes
Market - LIFE SCIENCE & MICROSCOPY	yes
Market - ELECTRONICS	yes
Market - WATCHMAKING & JEWELRY	yes
Category	High Precision Cutters
Kit	no
ESD safe	yes
Body material	100Cr6
Grip handle material	Ergo-tek Slim - TPE + PP

<b>Head shape</b>	Oblique
<b>Head width (mm - in) - C</b>	10.00 - 0.394
<b>Size/type</b>	Small
<b>Cutting edges</b>	Full-Flush
<b>OAL (mm - in) - A</b>	125.00 - 4.921
<b>B (mm - in)</b>	13.00 - 0.512
<b>Head thickness (mm - in) - D</b>	6.40 - 0.252
<b>G (mm - in)</b>	4.00 - 0.157
<b>Cutting capacity soft (mm)</b>	0.1-1.2
<b>Cutting capacity soft (AWG)</b>	38-17
<b>Cutting capacity medium (mm)</b>	0.1-1.0
<b>Cutting capacity medium (AWG)</b>	38-18
<b>RoHS compliant</b>	yes



© 2019 IDEAL-TEK SA

via Giuseppe Motta 4, 6828 Balerna - Switzerland

T +41 91 683 32 29 - F +41 91 683 03 71 - E info@ideal-tek.com