

**NO:** SW - 127  
**DATE:** March 2019

**PRODUCT:** A8W – Rocker Switch  
**TYPE:** Discontinuation – Streamline Product Offering

## A8W Rocker Switch – Discontinuation

In an effort to streamline our product offering and focus on popular models of Omron’s line of Rocker Switch, OMRON will discontinue the A8W model in February 2020. Although there are no direct replacements, the suggested replacement will be our A8A model which, despite contact rating differences, could be considered for new designs. Please carefully read through this notification and note the differences. The following details will fully explain the discontinuation and suggested replacement considerations; should you have any additional questions, however, please communicate with the Switch Product Manager.

### LAST Order Date (Last Time Buy Date)

February 2020

#### Product Discontinuation

Panel Seal Rocker Switch



Model A8WD-116□  
Model A8WD-226□  
Model A8WS-116□  
Model A8WS-226□  
Model A8W RUBBER CAP



#### Suggested Replacement

Rocker Switch

Model A8A-20□ - □ □  
+ A8A RUBBER CAP

No Recommended Replacement

### A8W Suggested Replacement – Differences from discontinued product:

**PLEASE NOTE:** A8W is rated 16A at 125/250VAC and IP67 Rated while A8A is rated 10A at 125/250VAC and IP40 Rated


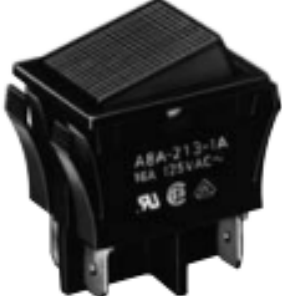

Suggested Replacement Model	Body Color	Dimensions	Wire connection	Mounting Dimensions	Characteristics	Operation ratings	Operation methods
A8A-207-1F + A8A RUBBER CAP	**	--	--	--	*	*	**
A8A-207-1D + A8A RUBBER CAP	**	--	--	--	*	*	**
A8A-201-F + A8A RUBBER CAP	**	--	--	--	*	*	**
A8A-201-D + A8A RUBBER CAP	**	--	--	--	*	*	**

\*\* : Compatible  
\* : The change is a little/Almost compatible  
-- : Not compatible  
- : No corresponding specification

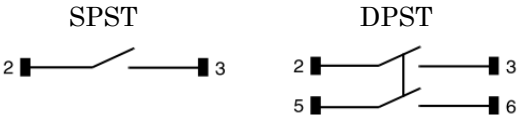
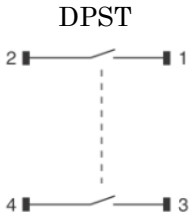
**A8W Details of applicable models:**

Discontinued Model	Suggested replacement
A8WD-1162	A8A-207-1F + A8A RUBBER CAP
A8WD-1163	A8A-207-1D + A8A RUBBER CAP
A8WD-2262	A8A-201-F + A8A RUBBER CAP
A8WD-2263	A8A-201-D + A8A RUBBER CAP
A8W RUBBER CAP	No recommended replacement
A8WS-1162	A8A-207-1F + A8A RUBBER CAP
A8WS-1163	A8A-207-1D + A8A RUBBER CAP
A8WS-2262	A8A-201-F + A8A RUBBER CAP
A8WS-2263	A8A-201-D + A8A RUBBER CAP

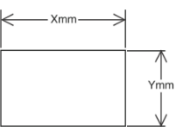
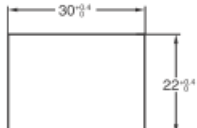
**Body Color:**

Discontinued Model A8W series	Suggested replacement Model A8A series
<p><b>Appearance</b></p>  <p>Note: Button and body color of A8WD/S-2262 is white and marking is black.</p>	<p><b>Appearance</b></p> <p>A8A with RUBBER CAP</p>  

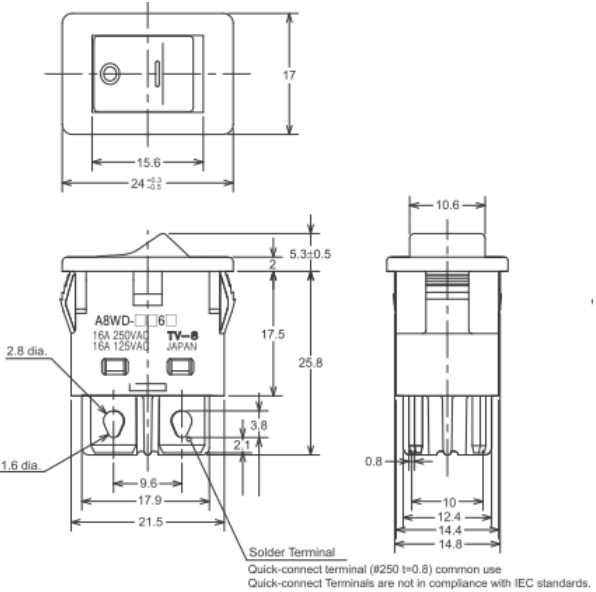
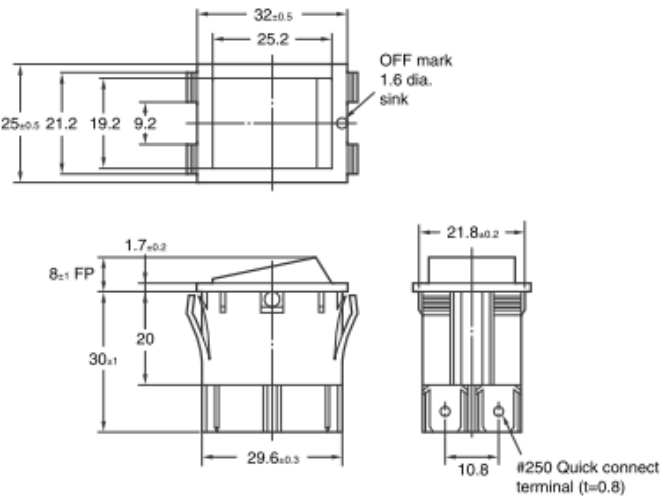
**Wire Connection:**

Discontinued Model A8W series	Suggested replacement Model A8A series
<p><b>Contact configuration</b></p> 	<p><b>Contact configuration</b></p> <p>A8A is only offered as DPST.</p> <p>DPST</p> 

**Mounting Dimensions:**

Discontinued Model A8W series		Suggested replacement Model A8A series															
<b>Panel Cutout</b> 		<b>Panel Cutout</b> 															
	<table border="1"> <thead> <tr> <th></th> <th>Panel thickness (mm)</th> <th>X (mm)</th> <th>Y (mm)</th> </tr> </thead> <tbody> <tr> <td rowspan="2">Without rubber cap</td> <td>1.0 to 1.9</td> <td>22.3<sup>+0.1</sup><sub>0</sub></td> <td rowspan="2">14.8<sup>+0.1</sup><sub>0</sub></td> </tr> <tr> <td>2.0 to 2.8</td> <td>23.2<sup>+0.1</sup><sub>0</sub></td> </tr> <tr> <td>With rubber cap</td> <td>2.0<sup>0</sup><sub>-0.07</sub></td> <td>22.4<sup>+0.1</sup><sub>0</sub></td> <td></td> </tr> </tbody> </table>		Panel thickness (mm)	X (mm)	Y (mm)	Without rubber cap	1.0 to 1.9	22.3 <sup>+0.1</sup> <sub>0</sub>	14.8 <sup>+0.1</sup> <sub>0</sub>	2.0 to 2.8	23.2 <sup>+0.1</sup> <sub>0</sub>	With rubber cap	2.0 <sup>0</sup> <sub>-0.07</sub>	22.4 <sup>+0.1</sup> <sub>0</sub>		<p><b>Note:</b> Recommended panel thickness: 1.0 to 3.0 mm.</p>	
	Panel thickness (mm)	X (mm)	Y (mm)														
Without rubber cap	1.0 to 1.9	22.3 <sup>+0.1</sup> <sub>0</sub>	14.8 <sup>+0.1</sup> <sub>0</sub>														
	2.0 to 2.8	23.2 <sup>+0.1</sup> <sub>0</sub>															
With rubber cap	2.0 <sup>0</sup> <sub>-0.07</sub>	22.4 <sup>+0.1</sup> <sub>0</sub>															

**Dimensions:**

Discontinued Model A8W series		Suggested replacement Model A8A series	
			

**Characteristics:**

Item	Discontinued Model A8W series	Suggested replacement Model A8A series
<b>Ratings</b>	125/250VAC, <b>16A Resistive load</b>	125/250VAC, <b>10A Resistive load</b>
<b>Operating force(OF)</b>	1 pole : 8N max. 2 poles : 14N max.	2 poles : 19.6N max.
<b>Life expectancy Electrical</b>	10,000 Operations min.	20,000 Operations min.
<b>Inrush current</b>	117A max.	100A max.

Sales teams should communicate this discontinuation with their OEM's and CEM's.  
For further technical support and any questions, please communicate with Product Marketing.

Specifications in this product news are as of the issue date and are subject to change without notice. Only main changes in specifications are described in this document. Please be sure to read the relevant catalogs, datasheets, product specifications, instructions, and manuals for precautions and necessary information when using products.  
This PCN is intended for use in the Americas  
Last time buy dates are subject to change based on availability