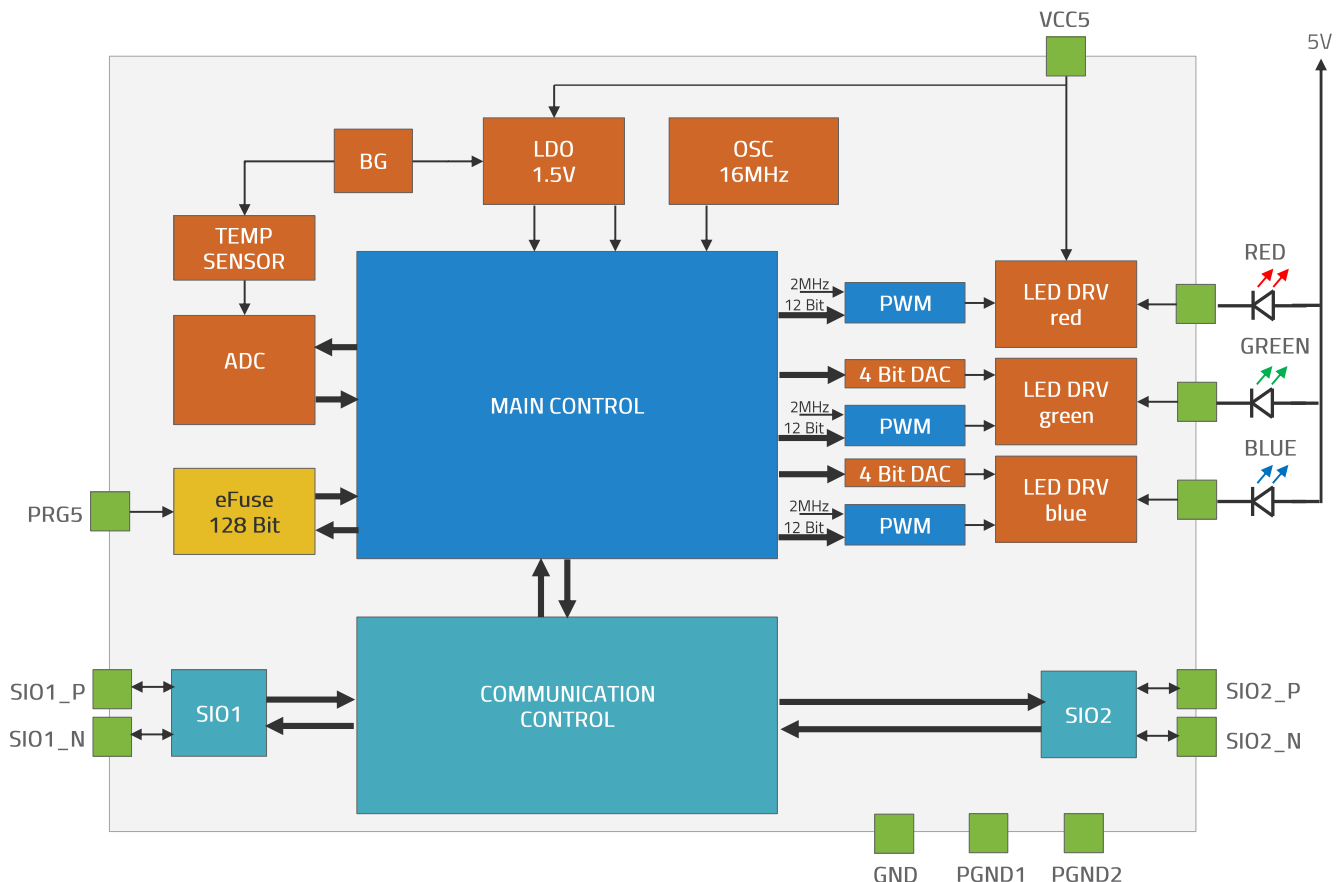


# INLC100Q16

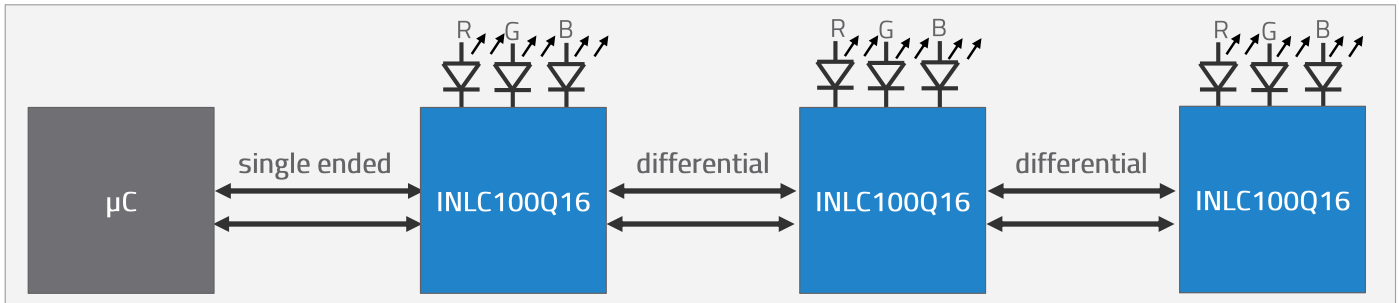
## Smart RGB LED Driver & Controller

### FEATURES

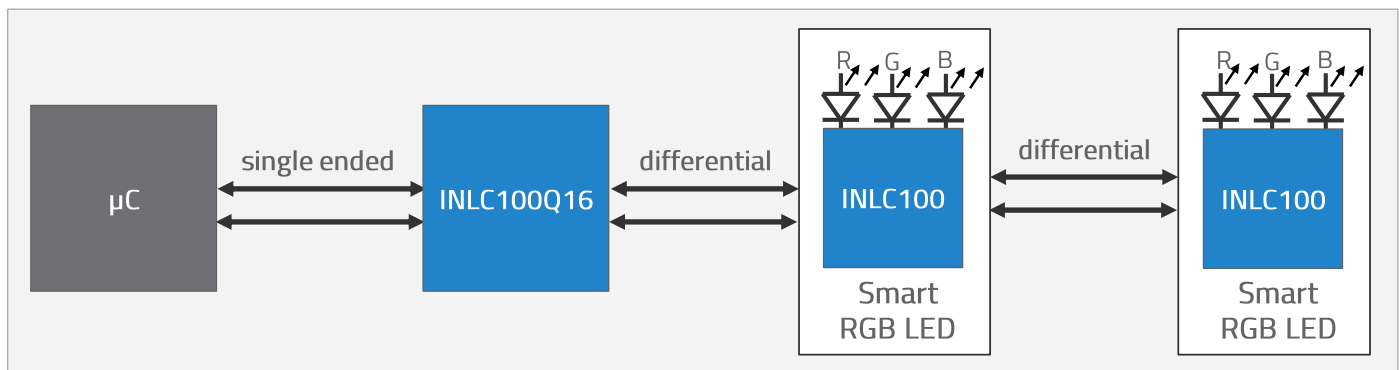
- Maximum of 4079 devices in one LED chain
- 488 Hz, 12 bit PWM
- Temperature compensation for red channel
- 8 bit brightness resolution for red, green and blue LED
- Additional dimming function for accurate low light colors
- Bidirectional, half-duplex, 2 Mbit/s, CRC protected serial communication
- Support for 16 multicast address groups
- Eight times serial line oversampling for communication robustness
- On-die oscillator
- Built-in diagnostic functions



## Example for chain with external LEDs



## Example for combination with other ISELED products



## TEMPERATURE / QUALITY

- -40°C to +105°C
- AEC-Q100

## PACKAGE

- 16 lead WETQFN
- Exposed pad
- 3mm x 3mm x 0,9mm
- 0,5 pitch

## APPLICATIONS

- Ambient lighting
- Roof lighting
- Display backlight
- Functional lighting
- Signal conversion (single ended to differential)

Part Number	Package	Pack Size
INLC100Q16-T	WETQFN-16	490 / Tray
INLC100Q16-R4.5	WETQFN-16	4500 / Reel