



Main

| | |
|-------------------------------|-------------------------------|
| Range of product | OsiSense XC |
| Series name | Standard format |
| Product or component type | Limit switch |
| Device short name | XCMD |
| Sensor design | Miniature |
| Body type | Plug-in body |
| Head type | Plunger head |
| Material | Metal |
| Body material | Zamak |
| Head material | Zamak |
| Fixing mode | By the body |
| Movement of operating head | Linear |
| Type of operator | Spring return plunger metal |
| Type of approach | Lateral approach 2 directions |
| Number of poles | 2 |
| Contacts type and composition | 1 NC + 1 NO |
| Contact operation | Snap action |

Complementary

| | |
|--|--|
| Switch actuation | By 30° cam |
| Electrical connection | Male connector, 4 pins |
| Contacts insulation form | Zb |
| Positive opening | With |
| Positive opening minimum force | 42.5 N |
| Minimum force for tripping | 8.5 N |
| Maximum actuation speed | 0.5 m/s |
| [Ie] rated operational current | 1 A at 24 V, DC-13 conforming to EN/IEC 60947-5-1 appendix A 3 A at 24 V, AC-14 |
| [Ithe] conventional enclosed thermal current | 6 A |
| [Ui] rated insulation voltage | 36 V degree of pollution 3 conforming to IEC 60947-5-1 |
| Resistance across terminals | <= 25 MOhm conforming to IEC 60255-7 category 3 |

| | |
|--|---|
| [Uimp] rated impulse withstand voltage | 0.8 kV conforming to IEC 60664 0.8 kV conforming to IEC 60947-1 |
| Short-circuit protection | 6 A by gG cartridge fuse |
| Electrical durability | 5000000 cycles, DC-13, 24 V, 3 W, operating rate: <= 60 cyc/mn, load factor: 0.5 conforming to IEC 60947-5-1 appendix C |
| Mechanical durability | 10000000 cycles |
| Width | 30 mm |
| Height | 76 mm |
| Depth | 21 mm |
| Product weight | 0.09 kg |

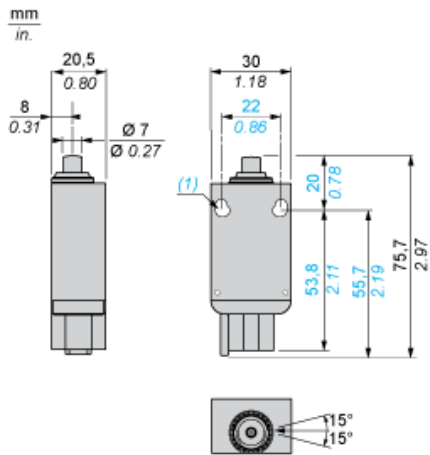
Environment

| | |
|---------------------------------------|--|
| Shock resistance | 25 gn (duration = 18 ms) conforming to IEC 60068-2-27 |
| Vibration resistance | 5 gn (f = 10...500 Hz) conforming to IEC 60068-2-6 |
| IP degree of protection | IP69 conforming to IEC 60529 IP66 conforming to IEC 60529 |
| IK degree of protection | IK06 conforming to EN 62262 |
| Electrical shock protection class | Class III conforming to IEC 61140 Class III conforming to NF C 20-030 |
| Ambient air temperature for operation | -25...70 °C |
| Ambient air temperature for storage | -40...70 °C |
| Protective treatment | TC |
| Product certifications | CCC cURus |
| Standards | EN/IEC 60204-1 EN/IEC 60947-5-1 UL 508 CSA C22.2 No 14 |

Contractual warranty

| | |
|-----------------|-----------|
| Warranty period | 18 months |
|-----------------|-----------|

Dimensions

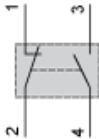


(1) : 2 elongated holes Ø 4.3 x 6.3 mm on 22 mm centers or 2 holes Ø 4.3 on 20 mm centers.

Connections and Schema

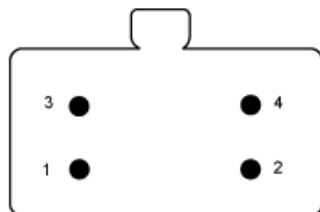
Wiring Diagram

2-pole NC + NO Snap Action



Connections and Schema

Deutsch DT04-4P Male Connector

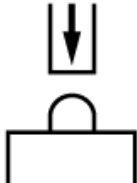


- 1 : NC
- 2 : NC
- 3 : NO
- 4 : NO

Technical Description

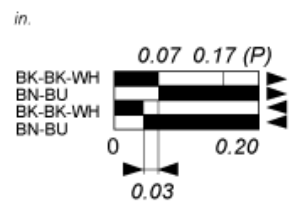
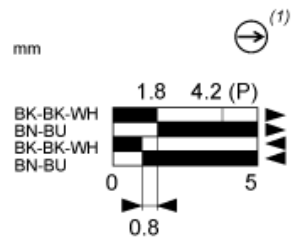
Characteristics of Actuation

Switch Actuation on End



Technical Description

Functional Diagram, Travel Distance



- (2)
- (3)
- ▶ (4)
- ◀ (5)

- (P) : Positive opening point
- (1) : NC contact with positive opening operation
- (2) : Closed
- (3) : Open
- (4) : Tripping
- (5) : Resetting
- BK : Black
- WH : White
- BU : Blue
- BN : Brown