

Filler panels, U-shaped for EMC

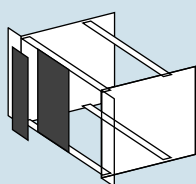


Material:
2.5 mm aluminium, extruded

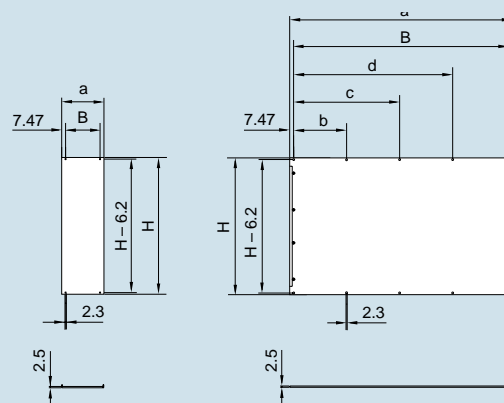
Surface finish:
Clear chromated

Supply includes:
1 front panel, one-part or three-part
1 vertical EMC gasket
1 contact strip (three-part only)
1 gasket strip (three-part only)

Note:
Order alignment screws separately.
Model No. RP 3687.050 (slotted),
packs of 100.



EMC



HP	a	Width (B)	b	c	d	Model No. RP, 1 U, H=39.8	Model No. RP, 2 U H = 84.25	Model No. RP, 3 U H = 128.7	Model No. RP, 4 U H = 173.15	Model No. RP, 6 U H = 262.05	Model No. RP, 7 U H = 306.5	Model No. RP, 9 U H = 395.4	Model No. RP, 10 U H = 439.85	Model No. RP, 11 U H = 484.3
2	9.8	-	-	-	-	-	-	3685.177	-	3685.185	-	3685.193	-	-
3	14.9	-	-	-	-	-	-	3686.138	-	3686.139	-	3686.140	-	-
4	20.0	-	-	-	-	-	-	3685.178	-	3685.186	-	3685.194	-	-
5	25.1	-	-	-	-	-	-	3685.179	-	3685.187	-	-	-	-
6	30.1	-	-	-	-	-	-	3685.180	-	3685.188	-	-	-	-
7	35.2	-	-	-	-	-	-	3685.181	-	3685.189	-	-	-	-
8	40.3	25.4	-	-	-	-	-	3685.182	-	3685.190	-	3685.195	-	-
10	50.5	35.6	-	-	-	-	-	3685.183	-	3685.191	-	-	-	-
12	60.6	45.7	-	-	-	-	-	3685.184	-	3685.192	-	3685.196	-	-
14	70.8	55.9	-	-	-	-	-	3684.249	-	3684.258	-	3684.278	-	-
16	80.9	66.0	-	-	-	-	-	3685.348	-	3685.349	-	-	-	-
20	101.3	86.4	-	-	-	-	-	3684.250	-	3684.259	-	3684.279	-	-
21	106.4	91.4	-	-	-	-	-	3684.272	-	3684.275	-	-	-	-
27	136.8	121.9	61.0	-	-	-	-	-	-	-	-	-	-	-
28	141.9	127.0	61.0	-	-	-	-	3684.251	-	3684.260	-	-	-	-
40	202.9	188.0	91.5	-	-	-	-	3684.273	-	3684.276	-	3684.280	-	-
42	213.0	198.1	96.5	-	-	-	-	3684.252	3684.255	3684.261	3684.264	3684.267	-	-
60	304.5	289.6	96.5	193.0	-	-	-	3684.274	-	3684.277	-	-	-	-
63	319.7	304.8	101.6	203.2	-	-	-	3684.253	3684.256	3684.262	3684.265	3684.268	-	-
84	426.4	411.5	101.6	203.2	304.8	3684.247	3684.248	3684.254	3684.257	3684.263	3684.266	3684.269	3684.270	3684.271

2 – 14 HP version, one-part; > 14 HP version, three-part