



### Main

Range of product	OsiSense XG
Product or component type	Panel mounting smart antenna
RFID compact station name	XGCS
RFID frequency	13.56 MHz
Design	Diameter 22 mounting
Electrical connection	5 pin(s) 1 male connector M12
Outer dimension	40 x 40 x 40 mm
Product compatibility	RFID microchip Texas (Tag-it HFI) RFID microchip Fujitsu (MB89R118 - MB89R119) RFID microchip NXP (Mifare classic 1K/4K)
[Sn] nominal sensing distance	10...70 mm
[Us] rated supply voltage	24 V DC conforming to Protective Extra Low Voltage

### Complementary


Operating mode	Standalone
Type of output signal	Discrete
Discrete output function	1 NO
Discrete output type	PNP
Switching capacity in mA	300 mA (overload and short-circuit protection)
Associated tag type	Automatic detection of the type of tag ISO 14443 standard tags ISO 15693 standard tags
Supply voltage limits	19.2...29 V DC
Current consumption	< 60 mA
Status LED	1 LED (dual colour) for output state 1 LED (dual colour) for RFID communication
Tightening torque	< 2.2 N.m
Marking	CE
Product weight	0.057 kg

Disclaimer: This documentation is not intended as a substitute for and is not to be used for determining suitability or reliability of these products for specific user applications

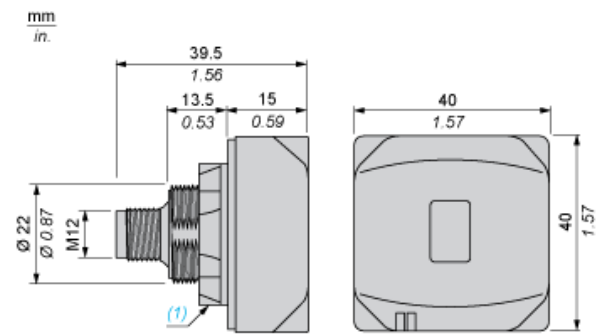
## Environment

Product certifications	CE
Standards	ETSI EN 301 489-1 ETSI EN 301 489-3 ETSI EN 300 330-1 ETSI EN 300 330-2
Ambient air temperature for operation	-25...70 °C
Ambient air temperature for storage	-40...85 °C
IP degree of protection	IP65 conforming to IEC 60529
Vibration resistance	2 mm (f = 5...29.5 Hz) conforming to EN 60068-2-6 7 gn (f = 29.5...150 Hz) conforming to EN 60068-2-6
Shock resistance	30 gn for 11 ms conforming to EN 60068-2-27
IK degree of protection	IK02 conforming to EN 50102
Electromagnetic compatibility	Electrostatic discharge immunity test for contact discharge ( level: 3) - test level 6 kV conforming to IEC 61000-4-2 Electrostatic discharge immunity test for air discharge ( level: 3) - test level 8 kV conforming to IEC 61000-4-2 Susceptibility to electromagnetic fields ( level: 3) - test level 10 V/m conforming to IEC 61000-4-3 Electrical fast transient/burst immunity test for signal ports ( level: 3) - test level 1 kV conforming to IEC 61000-4-4 Electrical fast transient/burst immunity test for power ports ( level: 3) - test level 2 kV conforming to IEC 61000-4-4 1.2/50 µs shock waves immunity test ( level: 3) - test level 10 kV conforming to IEC 61000-4-5 Conducted RF disturbances ( level: 3) - test level 10 V conforming to IEC 61000-4-6 Magnetic field at power frequency ( level: 4) - test level 30 A/m conforming to IEC 61000-4-8

## Offer Sustainability

Sustainable offer status	Green Premium product
RoHS (date code: YYWW)	Compliant  <a href="#">Schneider Electric declaration of conformity</a>
REACH	Reference not containing SVHC above the threshold <a href="#">Reference not containing SVHC above the threshold</a>
Product environmental profile	Available
Product end of life instructions	Available

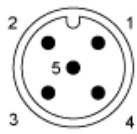
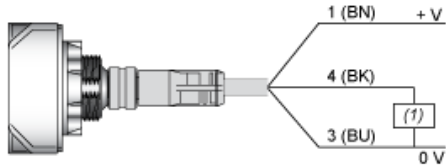
Dimensions



(1) Locking nut

Connections

Wiring Diagrams (Sensor Socket)



(1) Load

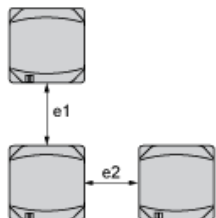
Pin no.	Description
1	+ 24 VDC
2	Reserved - Do not connect
3	0 V
4	PNP Output
5	Reserved - Do not connect

---

Mounting and Clearance

---

Minimum Distance Between 2 Identical Smart Antennas



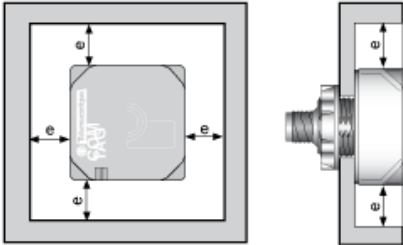
e1 = e2 ≥ 310 mm / 12.2 in.

---

Mounting and Clearance

---

Mounting on a Metal Structure



e > 20 mm / 0.7 in.