



Main

Range of product	OsiSense XU
Series name	General purpose single mode
Electronic sensor type	Photo-electric sensor transmitter
Sensor name	XUM
Sensor design	Miniature
Detection system	Thru beam
Material	Plastic
Supply circuit type	DC
Wiring technique	2-wire
Electrical connection	Cable
Cable length	2 m
Emission	Red thru beam
[Sn] nominal sensing distance	15 m need a receiver

Complementary

Enclosure material	PBT
Lens material	Modified polyarylate
Wire insulation material	PVC
Status LED	1 LED (orange) for supply on
[Us] rated supply voltage	12...24 V DC with reverse polarity protection
Supply voltage limits	10.2...26.4 V DC
Voltage drop	<= 2 V
Current consumption	12 mA (no-load)
Delay first up	<= 100 ms
Depth	20 mm
Height	34 mm
Width	11 mm
Product weight	0.063 kg

Environment

Product certifications	CE
------------------------	----

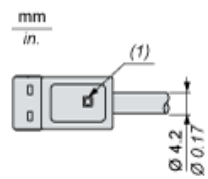
UL
RCM

Ambient air temperature for operation	-30...55 °C
Ambient air temperature for storage	-40...70 °C
Vibration resistance	+/- 1.5 mm (f = 10...55 Hz) 2 hours in each direction X, Y and Z conforming to IEC 60068-2-6
Shock resistance	500 m/s ² (X, Y, Z directions for 10 cycles (approx. 100 min)) conforming to IEC 60068-2-27
IP degree of protection	IP67 conforming to IEC 60529

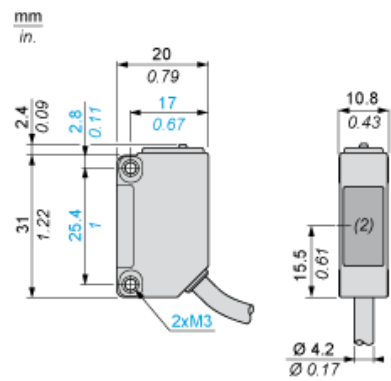
Dimensions

Transmitter. Pre-cable Version

Description



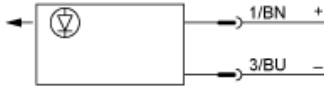
Dimensions



- (1) Power supply indicator (orange)
- (2) Transmission

Connections and Schema

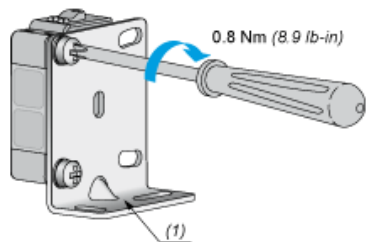
DC Transmitter



BN : Brown
BU : Blue

Mounting and Clearance

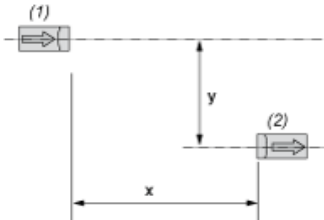
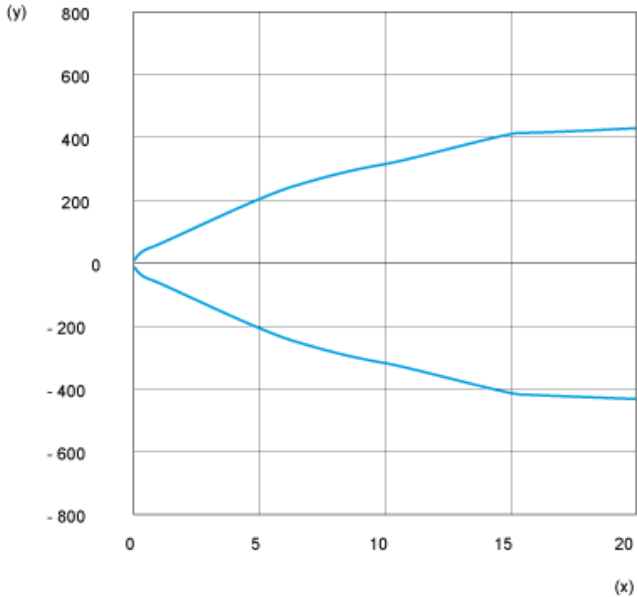
Tightening Torque



(1) Base mounting fixing bracket

Performance Curves

Thru-beam System



- (1) Transmitter
- (2) Receiver
- (y) Parallel movement in mm
- (x) Distance in m