

XUM2ANSBM8R

PHOTOELECTRIC SENSOR MINIATURE THRU BEAM SN 15M NPN RECEIVER CONNECTOR M8



Main

Range of product	OsiSense XU
Series name	General purpose single mode
Electronic sensor type	Photo-electric sensor receiver
Sensor name	XUM
Sensor design	Miniature
Detection system	Thru beam
Material	Plastic
Type of output signal	Discrete
Supply circuit type	DC
Wiring technique	3-wire
Discrete output type	NPN
Discrete output function	1 NO or 1 NC programmable
Electrical connection	Male connector M8, 4 pins
[Sn] nominal sensing distance	15 m need a transmitter XUM2AKSBM8T

Complementary

Enclosure material	PBT
Lens material	Modified polyarylate
Output type	Solid state
Status LED	1 LED (orange) for output 1 LED (green) for stability
[Us] rated supply voltage	12...24 V DC with reverse polarity protection
Supply voltage limits	10.2...26.4 V DC
Switching capacity in mA	<= 50 mA (overload and short-circuit protection)
Switching frequency	<= 500 Hz
Voltage drop	<= 2 V
Current consumption	13 mA (no-load)
Delay first up	<= 100 ms
Delay response	<= 1 ms
Delay recovery	<= 1 ms

Setting-up	Sensitivity adjustment by pushbutton
Depth	20 mm
Height	34 mm
Width	11 mm
Product weight	0.01 kg

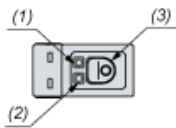
Environment

Product certifications	CE UL RCM
Ambient air temperature for operation	-30...55 °C
Ambient air temperature for storage	-40...70 °C
Vibration resistance	+/- 1.5 mm (f = 10...55 Hz) 2 hours in each direction X, Y and Z conforming to IEC 60068-2-6
Shock resistance	500 m/s ² (X, Y, Z directions for 10 cycles (approx. 100 min)) conforming to IEC 60068-2-27
IP degree of protection	IP67 conforming to IEC 60529

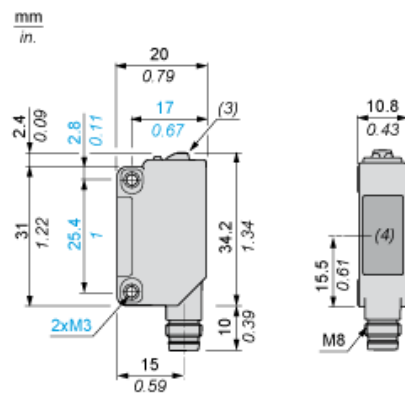
Dimensions

Receiver. Connector Version

Description



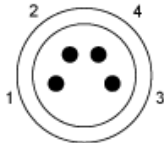
Dimensions



- (1) Output indicator (orange)
- (2) Stability indicator (green)
- (3) Setting pushbutton
- (4) Reception

Connections and Schema

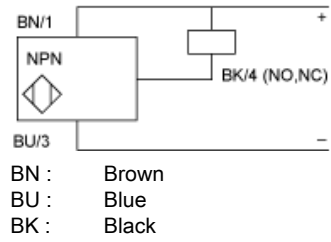
M8 Connector



- 3 : (-)
- 1 : (+)
- 4 : OUT/Output

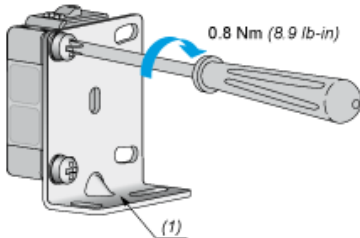
Connections and Schema

NPN

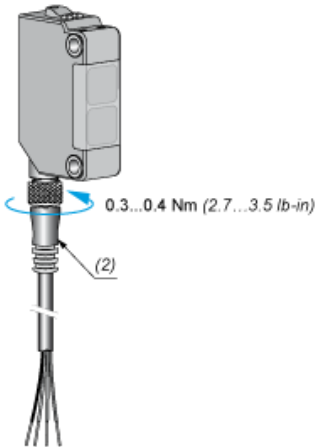


Mounting and Clearance

Tightening Torques



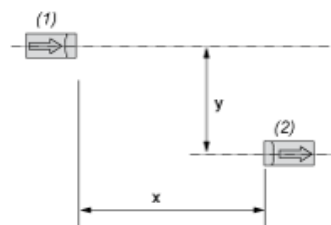
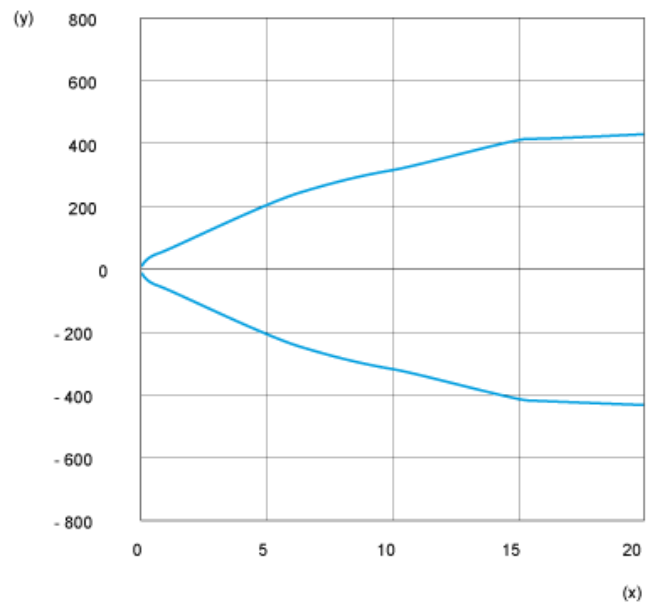
(1) Base mounting fixing bracket



(2) Pre-wired M8 connector

Performance Curves

Thru-beam System



- (1) Transmitter
- (2) Receiver
- (y) Parallel movement in mm
- (x) Distance in m