



### Main

Range of product	OsiSense XU
Series name	General purpose single mode
Electronic sensor type	Photo-electric sensor
Sensor name	XUM
Sensor design	Miniature
Detection system	Thru beam
Material	Plastic
Type of output signal	Discrete
Supply circuit type	DC
Wiring technique	3-wire
Discrete output type	PNP
Discrete output function	1 NO or 1 NC programmable
Electrical connection	Cable
Cable length	2 m
Emission	Red thru beam
[Sn] nominal sensing distance	15 m

### Complementary

Enclosure material	PBT
Lens material	Modified polyarylate
Output type	Solid state
Wire insulation material	PVC
Status LED	1 LED (orange) for receiver/output 1 LED (green) for receiver/stability 1 LED (orange) for transmitter/supply on
[Us] rated supply voltage	12...24 V DC with reverse polarity protection
Supply voltage limits	10.2...26.4 V DC
Switching capacity in mA	<= 100 mA (overload and short-circuit protection)
Switching frequency	<= 500 Hz
Voltage drop	<= 2 V
Current consumption	25 mA (no-load)
Delay first up	<= 100 ms

Delay response	<= 1 ms
Delay recovery	<= 1 ms
Setting-up	Sensitivity adjustment by pushbutton
Depth	20 mm
Height	34 mm
Width	11 mm
Product weight	0.119 kg
Kit composition	Transmitter + receiver XUM2AKSBL2T + XUM2APSBL2R

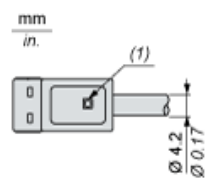
## Environment

Product certifications	CE UL RCM
Ambient air temperature for operation	-30...55 °C
Ambient air temperature for storage	-40...70 °C
Vibration resistance	+/- 1.5 mm (f = 10...55 Hz) 2 hours in each direction X, Y and Z conforming to IEC 60068-2-6
Shock resistance	500 m/s <sup>2</sup> (X, Y, Z directions for 10 cycles (approx. 100 min)) conforming to IEC 60068-2-27
IP degree of protection	IP67 conforming to IEC 60529

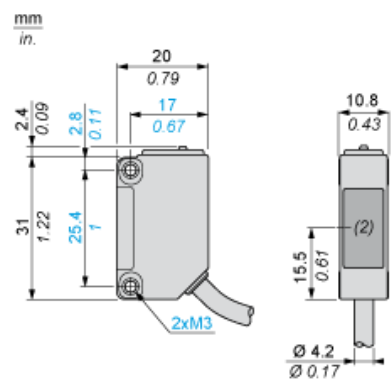
Dimensions

Transmitter. Pre-cable Version

Description



Dimensions



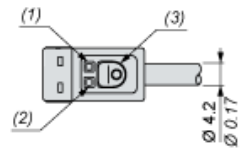
- (1) Power supply indicator (orange)
- (2) Transmission

Dimensions

Receiver. Pre-cable Version

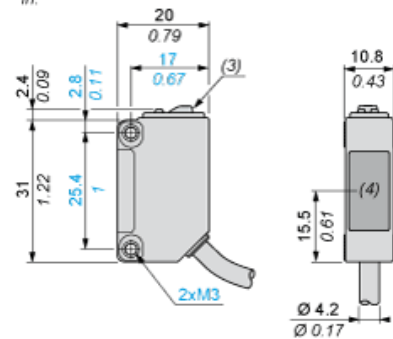
Description

$\frac{\text{mm}}{\text{in.}}$



Dimensions

$\frac{\text{mm}}{\text{in.}}$



- (1) Output indicator (orange)
- (2) Stability indicator (green)
- (3) Setting pushbutton
- (4) Reception

---

## Connections and Schema

---

### Pre-cabled

(-) : BU (Blue)

(+) : BN (Brown)

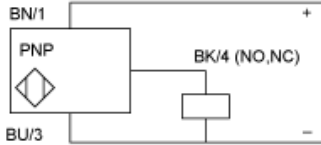
OUT/Output : BK (Black)

---

Connections and Schema

---

PNP



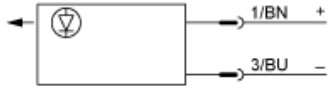
- BN : Brown
- BU : Blue
- BK : Black

---

## Connections and Schema

---

### DC Transmitter



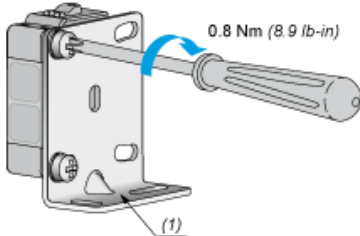
BN : Brown  
BU : Blue

---

Mounting and Clearance

---

Tightening Torque

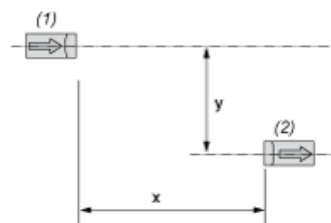
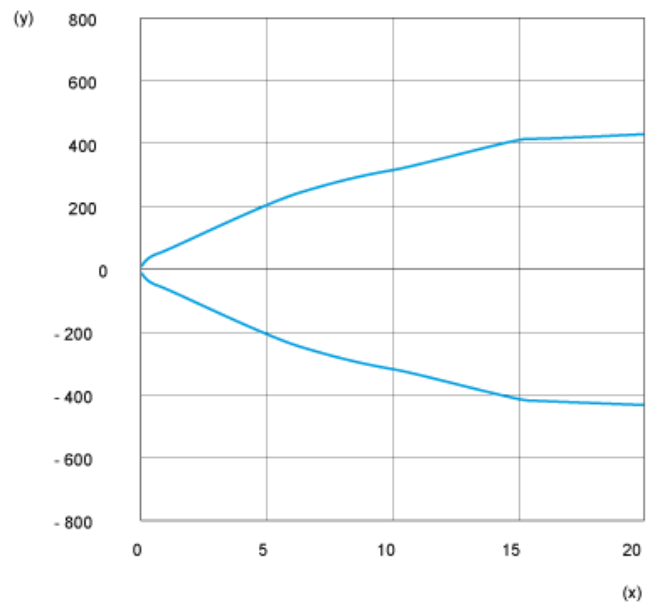


(1) Base mounting fixing bracket



## Performance Curves

### Thru-beam System



- (1) Transmitter
- (2) Receiver
- (y) Parallel movement in mm
- (x) Distance in m