

XUM2APSBL2R

PHOTOELECTRIC SENSOR MINIATURE THRU BEAM SN 15M RECEIVER PNP CONNECTOR M8



Main

| | |
|-------------------------------|-------------------------------------|
| Range of product | OsiSense XU |
| Series name | General purpose single mode |
| Electronic sensor type | Photo-electric sensor receiver |
| Sensor name | XUM |
| Sensor design | Miniature |
| Detection system | Thru beam |
| Material | Plastic |
| Type of output signal | Discrete |
| Supply circuit type | DC |
| Wiring technique | 3-wire |
| Discrete output type | PNP |
| Discrete output function | 1 NO or 1 NC programmable |
| Electrical connection | Cable |
| Cable length | 2 m |
| [Sn] nominal sensing distance | 15 m need a transmitter XUM2AKSBL2T |

Complementary

| | |
|---------------------------|--|
| Enclosure material | PBT |
| Lens material | Modified polyarylate |
| Output type | Solid state |
| Wire insulation material | PVC |
| Status LED | 1 LED (orange) for output 1 LED (green) for stability |
| [Us] rated supply voltage | 12...24 V DC with reverse polarity protection |
| Supply voltage limits | 10.2...26.4 V DC |
| Switching capacity in mA | <= 100 mA (overload and short-circuit protection) |
| Switching frequency | <= 500 Hz |
| Voltage drop | <= 2 V |
| Current consumption | 13 mA (no-load) |
| Delay first up | <= 100 ms |

| | |
|----------------|--------------------------------------|
| Delay response | <= 1 ms |
| Delay recovery | <= 1 ms |
| Setting-up | Sensitivity adjustment by pushbutton |
| Depth | 20 mm |
| Height | 34 mm |
| Width | 11 mm |
| Product weight | 0.063 kg |

Environment

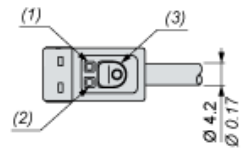
| | |
|---------------------------------------|--|
| Product certifications | CE UL RCM |
| Ambient air temperature for operation | -30...55 °C |
| Ambient air temperature for storage | -40...70 °C |
| Vibration resistance | +/- 1.5 mm (f = 10...55 Hz) 2 hours in each direction X, Y and Z conforming to IEC 60068-2-6 |
| Shock resistance | 500 m/s ² (X, Y, Z directions for 10 cycles (approx. 100 min)) conforming to IEC 60068-2-27 |
| IP degree of protection | IP67 conforming to IEC 60529 |

Dimensions

Receiver. Pre-cable Version

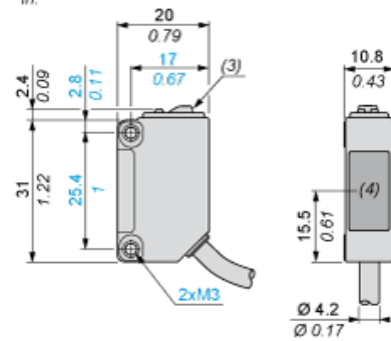
Description

mm
in.



Dimensions

mm
in.



- (1) Output indicator (orange)
- (2) Stability indicator (green)
- (3) Setting pushbutton
- (4) Reception

Connections and Schema

Pre-cabled

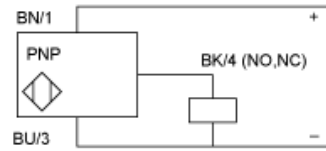
(-) : BU (Blue)

(+) : BN (Brown)

OUT/Output : BK (Black)

Connections and Schema

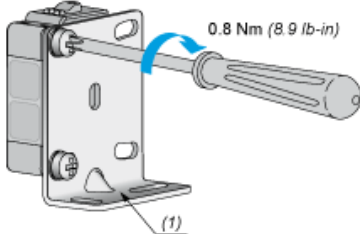
PNP



BN : Brown
BU : Blue
BK : Black

Mounting and Clearance

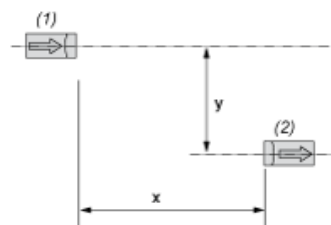
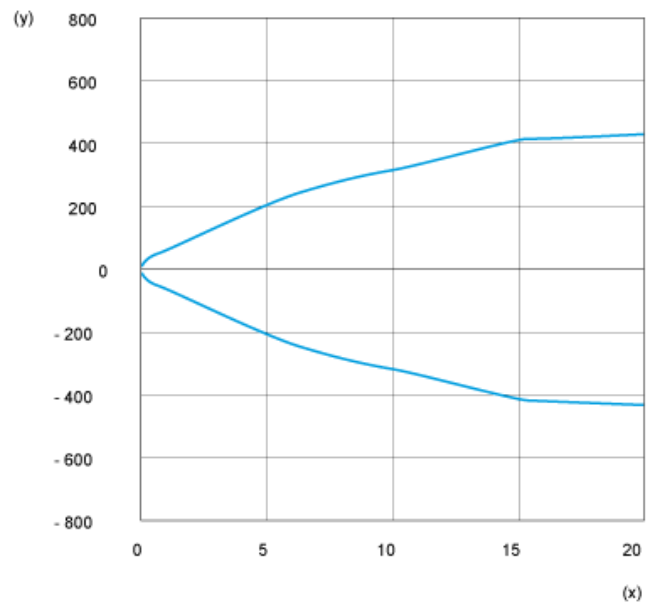
Tightening Torque



(1) Base mounting fixing bracket

Performance Curves

Thru-beam System



- (1) Transmitter
- (2) Receiver
- (y) Parallel movement in mm
- (x) Distance in m