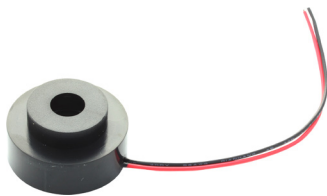


**RoHS  
Compliant**



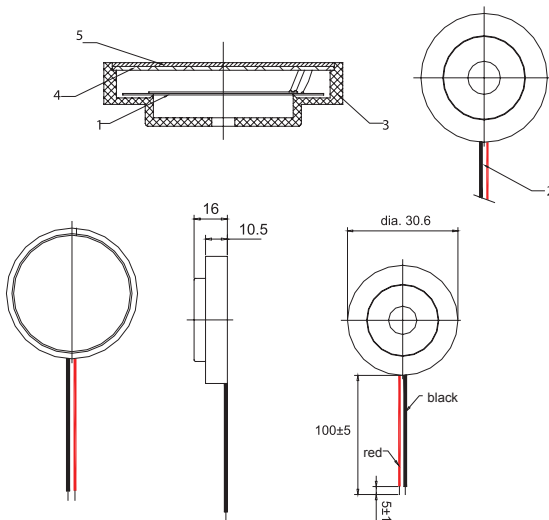
## Features

- 12Vp-p piezo transducer fitted with 100mm leads.
- 30mm diameter
- Sound output is a minimum of 110dB
- Suitable for a variety of applications which need a loud but relatively small alarm device.
- Wave solder and wash not allowed

## Specifications

Rated Voltage	: 12V DC
Operating Voltage	: 6V DC to 16V DC
Rated Current at Rated Voltage	: ≤ 30mA
Sound output at 2400Hz at 10cm	: ≥105dB
Resonant Frequency	: 3250Hz ±500Hz
Operating Temperature	: -40°C to +85°C
Storage Temperature	: -40°C to +85°C
Weight	: 6.6g
Tone	: Single

## Diagram



Dimensions : Millimetres  
Tolerance: ±0.2mm

All data at 25°C unless otherwise specified

No.	Part Name	Material	Qty.
1	Piezo Element	Stainless Steel	1
2	Lead Wire	UL1095 AWG28 (Red & Black)	2
3	Housing	Black ABS777D	1
4	PCB	Epoxy Board	
5	Cover	Black ABS777D	

## Part Number Table

Description	Part Number
Piezo Buzzer, 12VP-P, 110DB, 30mm Dia.	MP000296

**Important Notice :** This data sheet and its contents (the "Information") belong to the members of the AVNET group of companies (the "Group") or are licensed to it. No licence is granted for the use of it other than for information purposes in connection with the products to which it relates. No licence of any intellectual property rights is granted. The Information is subject to change without notice and replaces all data sheets previously supplied. The Information supplied is believed to be accurate but the Group assumes no responsibility for its accuracy or completeness, any error in or omission from it or for any use made of it. Users of this data sheet should check for themselves the Information and the suitability of the products for their purpose and not make any assumptions based on information included or omitted. Liability for loss or damage resulting from any reliance on the Information or use of it (including liability resulting from negligence or where the Group was aware of the possibility of such loss or damage arising) is excluded. This will not operate to limit or restrict the Group's liability for death or personal injury resulting from its negligence. Multicomp Pro is the registered trademark of Premier Farnell Limited 2019.

Newark.com/exclusive-brands  
Farnell.com/exclusive-brands  
Element14.com/exclusive-brands