

USA 2-PIN PLUG-IN POWER SUPPLY 5.1VDC 15.3WATT



T7731DV

Features:

- USA Fixed AC Head
- 1 Year Warranty
- Level VI Efficiency
- CE Approved



Description:

The Stontronics Range of Class II 15.3 Watt AC/DC USA plug-in power supplies provide 15.3 Watts of continuous power in a compact fixed wall plug enclosure suitable for use in many general power applications.

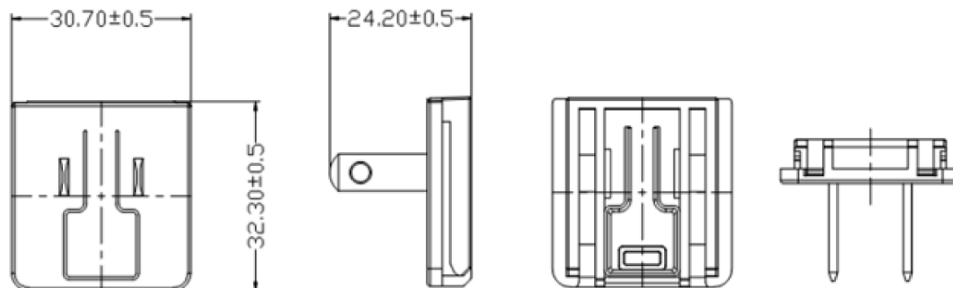
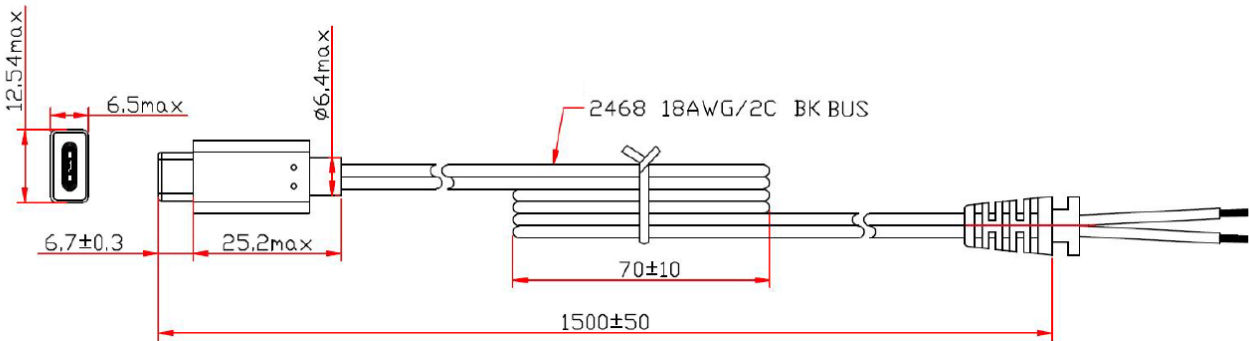
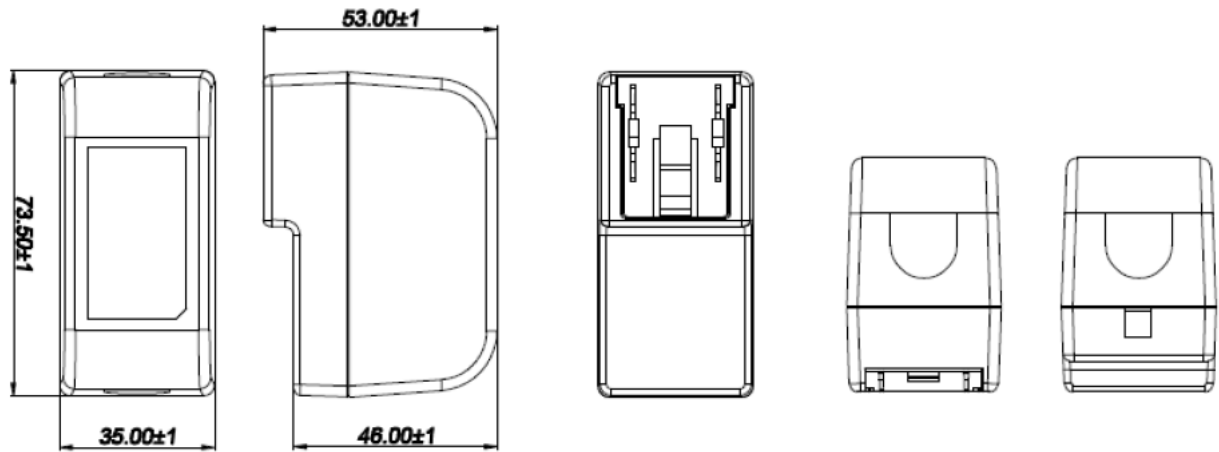
Specification	
Part Number	T7731DV
Input Voltage Range	90-264Vac
Input Frequency Range	47-63Hz
Input Current Rated	0.6A Max
Output Voltage Rating	+5.1V
Output Current Range	3A
Output Min Current	0A
Output Connector	USB Type C
Total Output Regulation	+/- 5%
Line and Load Regulation	+/- 2%
Ripple & Noise	240mVp-p
Efficiency	81.97% Min
Over Voltage Protection	10VDC maximum
Over Current Protection	5 A maximum with auto-recovery function
Short Circuit Protection	The adapter shall not be damaged by short the DC output to Ground
Operating Temperature	0°C to +40°C
Storage Temperature	-20°C to +60°C
Operating Humidity	20% to 85%
Storage Humidity	5% to 95%
Hi-Pot	3000Vac 10mA 1min
Safety Standard	UL/CUL(UL 62368-1)
EMI Standard	FCC(PART 15 CLASS B), CE(EN55032)
MTBF	50K Hours
Size mm max.	74.5(L) x 36(W) x 54(H)
Weight	115g± 15% US PIN: 7.5g± 1g
Regulator Type	Switched Mode Power Supply

USA 2-PIN PLUG-IN POWER SUPPLY 5.1VDC 15.3WATT

T7731DV



Diagrams



General Note
TT Electronics reserves the right to make changes in product specification without notice or liability. All information is subject to TT Electronics' own data and is considered accurate at time of going to print.

TT Electronics | Stontronics Ltd
Chancerygate Business Centre, Cradock Road, Reading RG2 0AH, UK
t: +44 (0) 118 931 1199