


|                      |        |                      |            |
|----------------------|--------|----------------------|------------|
| MC22405A6WR-FPTLW-V2 | 2 x 24 | 5mm Character Height | LCD Module |
| <b>Specification</b> |        |                      |            |
| Version: 1           |        | Date: 31/10/2016     |            |
| <b>Revision</b>      |        |                      |            |
|                      |        |                      |            |

| Display Features      |                           |              |                  |
|-----------------------|---------------------------|--------------|------------------|
| Character Count       | 2 x 24                    |              |                  |
| Appearance            | Black on White            |              |                  |
| Logic Voltage         | 5V                        |              |                  |
| Interface             | Parallel                  |              |                  |
| Font Set              | English / Russian         |              |                  |
| Display Mode          | Transflective             |              |                  |
| Character Height      | 5.55mm                    |              |                  |
| LC Type               | FSTN                      |              |                  |
| Module Size           | 116.00 x 37.00 x 13.50 mm |              |                  |
| Operating Temperature | -20°C ~ +70°C             |              |                  |
| Construction          | COB                       | Box Quantity | Weight / Display |
| LED Backlight         | White                     | 30 pcs       | 63.33 grams      |



**RoHS**  
compliant

\* - For full design functionality, please use this specification in conjunction with the ST7066U specification. (Provided Separately)

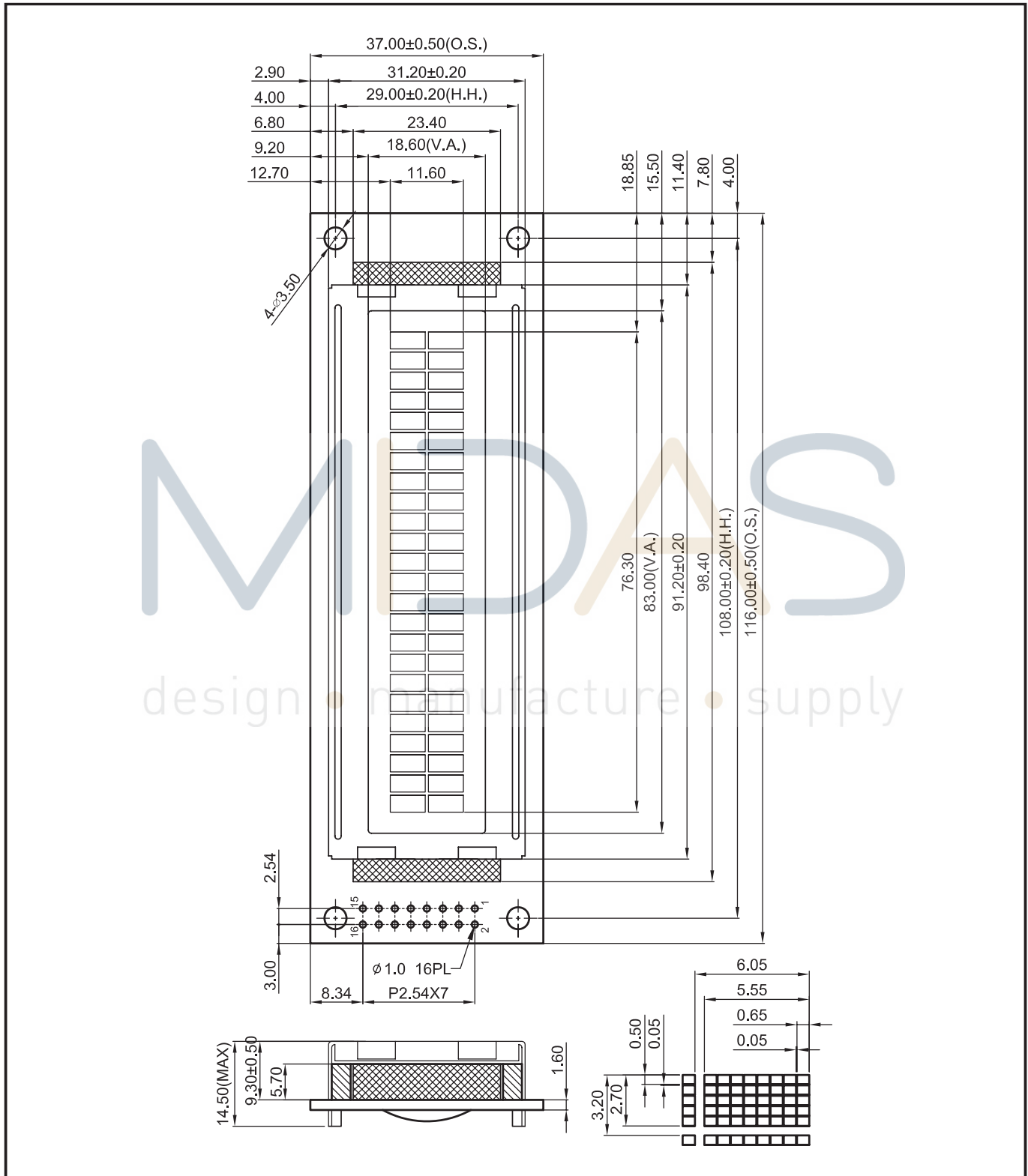
| Display Accessories      |  |
|--------------------------|--|
| Part Number              | Description  |
| MCCMDB-16DIL             | LCD Interconnect board, can be driven from either a PC or a single Board computer with a USB output. |
| MCCBL1A16DLIP-16DILS-150 | 16 Way, Dual in-line to Dual In-line connector Cable.  |
|                          |  |

| Optional Variants  |   |         |
|--------------------|---|---------|
| Fonts              | Appearances   | Voltage |
| English / European | Black on<br>Yellow/Green<br>Black on Red<br>Black on Amber<br>White on Blue | 3V      |



## Mechanical Specifications

|                |  |          |                 |                |              |
|----------------|--|----------|-----------------|----------------|--------------|
| Module Size    | 116.00 x 37.00 x 13.50 ( With Backlight) |          |                 |                | W x H x D mm |
| Viewing Area   | 83.00 x 18.60                            | W x H mm | Hole-to-Hole    | 108.00 x 29.00 | W x H mm     |
| Character Size | 2.70 x 5.55                              | W x H mm | Character Pitch | 0.50 x 1.50    | W x H mm     |
| Dot Size       | 0.50 x 0.65                              | W x H mm | Dot Pitch       | 0.05 x 0.05    | W x H mm     |



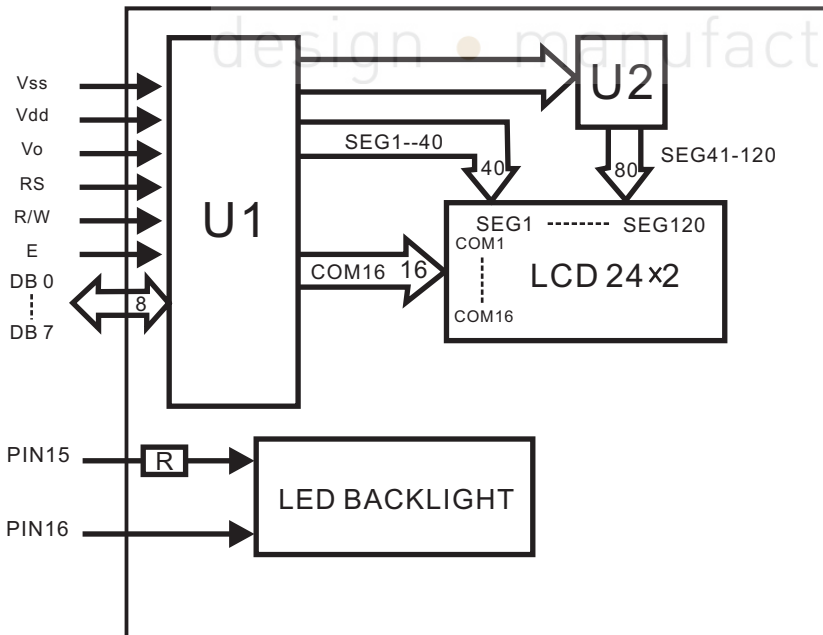
|                      |        |                      |            |
|----------------------|--------|----------------------|------------|
| MC22405A6WR-FPTLW-V2 | 2 x 24 | 5mm Character Height | LCD Module |
| <b>Specification</b> |        |                      |            |
| Version: 1           |        | Date: 31/10/2016     |            |
| <b>Revision</b>      |        |                      |            |
|                      |        |                      |            |



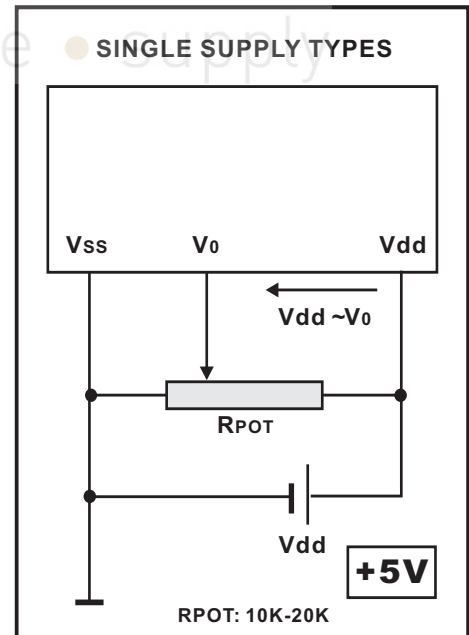
# Pin Layout

| PI | SYMBOL | DESCRIPTION            | REMARKS |
|----|--------|------------------------|---------|
| 1  | Vss    | GND                    |         |
| 2  | Vdd    | Power supply for LCM   | 5.0V    |
| 3  | V0     | Contrast Adjust        |         |
| 4  | RS     | Register Select Signal |         |
| 5  | R/W    | Data Read /Write       |         |
| 6  | E      | Enable Signal          |         |
| 7  | DB0    | Data bus line          |         |
| 8  | DB1    | Data bus line          |         |
| 9  | DB2    | Data bus line          |         |
| 10 | DB3    | Data bus line          |         |
| 11 | DB4    | Data bus line          |         |
| 12 | DB5    | Data bus line          |         |
| 13 | DB6    | Data bus line          |         |
| 14 | DB7    | Data bus line          |         |
| 15 | LED+   | Power supply for BKL   | 5.0V    |
| 16 | LED-   | Power supply for BKL   |         |

**Block Diagram**



**Power Supply Diagram**



|                      |        |                      |            |
|----------------------|--------|----------------------|------------|
| MC22405A6WR-FPTLW-V2 | 2 x 24 | 5mm Character Height | LCD Module |
| <b>Specification</b> |        |                      |            |
| Version: 1           |        | Date: 31/10/2016     |            |
| <b>Revision</b>      |        |                      |            |
|                      |        |                      |            |



# Font Map

| Upper<br>4bit<br>Lower<br>4bit | LLLL             | LLLH | LLHL | LLHH | LHLL | LHLH | LHHL | LHHH | HLLL | HLLH | HLHL | HLHH | HHLL | HHLH | HHHL | HHHH |
|--------------------------------|------------------|------|------|------|------|------|------|------|------|------|------|------|------|------|------|------|
| LLLL                           | CG<br>RAM<br>(1) |      |      |      |      |      |      |      |      |      |      |      |      |      |      |      |
| LLLH                           | (2)              |      |      |      |      |      |      |      |      |      |      |      |      |      |      |      |
| LLHL                           | (3)              |      |      |      |      |      |      |      |      |      |      |      |      |      |      |      |
| LLHH                           | (4)              |      |      |      |      |      |      |      |      |      |      |      |      |      |      |      |
| LHLL                           | (5)              |      |      |      |      |      |      |      |      |      |      |      |      |      |      |      |
| LHLH                           | (6)              |      |      |      |      |      |      |      |      |      |      |      |      |      |      |      |
| LHHL                           | (7)              |      |      |      |      |      |      |      |      |      |      |      |      |      |      |      |
| LHHH                           | (8)              |      |      |      |      |      |      |      |      |      |      |      |      |      |      |      |
| HLLL                           | (1)              |      |      |      |      |      |      |      |      |      |      |      |      |      |      |      |
| HLLH                           | (2)              |      |      |      |      |      |      |      |      |      |      |      |      |      |      |      |
| HLHL                           | (3)              |      |      |      |      |      |      |      |      |      |      |      |      |      |      |      |
| HLHH                           | (4)              |      |      |      |      |      |      |      |      |      |      |      |      |      |      |      |
| HHLL                           | (5)              |      |      |      |      |      |      |      |      |      |      |      |      |      |      |      |
| HHLH                           | (6)              |      |      |      |      |      |      |      |      |      |      |      |      |      |      |      |
| HHHL                           | (7)              |      |      |      |      |      |      |      |      |      |      |      |      |      |      |      |
| HHHH                           | (8)              |      |      |      |      |      |      |      |      |      |      |      |      |      |      |      |

|                      |        |                      |            |
|----------------------|--------|----------------------|------------|
| MC22405A6WR-FPTLW-V2 | 2 x 24 | 5mm Character Height | LCD Module |
| <b>Specification</b> |        |                      |            |
| Version: 1           |        | Date: 31/10/2016     |            |
| <b>Revision</b>      |        |                      |            |
|                      |        |                      |            |



## Absolute Maximum Ratings

| Item                  | Symbol | Condition | Min       | Typ | Max      | Unit |
|-----------------------|--------|-----------|-----------|-----|----------|------|
| Power Supply ( LOGIC) | Vdd    | 25°C      | -0.3      | --- | 7.0      | V    |
| Power Supply (LCD)    | V0     | 25°C      | Vdd -13.5 | --- | Vdd +0.3 | V    |
| Input Voltage         | Vin    | 25°C      | -0.3      | --- | Vdd +0.3 | V    |
| Operating Temperature | Vopr   | ---       | -20       | --- | 70       | C    |
| Storage Temperature   | Vstg   | ---       | -30       | --- | 80       | C    |

## Electronic Characteristics

| Item                          | Symbol            | Condition | Min  | Typ  | Max  | Unit |
|-------------------------------|-------------------|-----------|------|------|------|------|
| Input Voltage                 | Vlcm = Vdd        | ---       | ---  | 5.0  | ---  | V    |
| Supply Current                | Idd               | Vdd=3V    | ---  | 1.5  | ---  | mA   |
| Driving Voltage for LCD Panel | Vlcd = (Vdd - V0) | -20°C     | 4.50 | ---  | 4.90 | V    |
|                               |                   | 0°C       | 4.35 | ---  | 4.87 |      |
|                               |                   | 25°C      | 4.20 | 4.50 | 4.85 |      |
|                               |                   | 50°C      | 4.15 | ---  | 4.82 |      |
|                               |                   | 70°C      | 4.10 | ---  | 4.80 |      |

## LCD Characteristics

| For STN/FSTN LCD Panel Types |                   |           |     |     |     |      |
|------------------------------|-------------------|-----------|-----|-----|-----|------|
| Item                         | Symbol            | Condition | Min | Typ | Max | Unit |
| Viewing Angle                | $\Phi 2 - \Phi 1$ | K = 4     | 40° | --- | --- | Deg  |
|                              | $\Theta$          |           | 60° |     |     |      |
| Contrast Ratio               | K                 | ---       | --- | 10  | --- | ---  |
| Response Time (Rise)         | TR                | ---       | --- | 150 | 250 | ms   |
| Response Time (Fall)         | TF                | ---       | --- | 150 | 250 | ms   |

## LED Characteristics

| Item                         | Symbol       | Condition      | Min  | Typ  | Max  | Unit              |
|------------------------------|--------------|----------------|------|------|------|-------------------|
| LED Forward Voltage          | Vf           | 25°C If=2*15mA | 2.75 | ---  | 3.1  | V                 |
| LED Forward Current*         | If           | 25°C           | ---  | 2*15 | ---  | mA                |
| LED Reverse Current          | Ir           | 25°C           | ---  | ---  | 20   | μA                |
| LED Colour Range             | X Coordinate | 25°C If=2*15mA | 0.26 | ---  | 0.30 | ---               |
|                              | Y Coordinate |                | 0.27 | ---  | 0.31 | ---               |
| LED Brightness (Without LCD) | Lv           | 25°C If=2*15mA | ---  | 540  | ---  | cd/m <sup>2</sup> |
| LED Brightness Uniformity    | Lvmin/Lvmax  | 25°C If=2*15mA | 70   | ---  | ---  | Ratio             |
| LED Life Time                | ---          | 25°C If=2*15mA | 9K   | ---  | ---  | Hours             |

**Attention:** It is constant current, not constant voltage, which should be applied when driving the LED backlight, please ensure you adhere to this rule.

|                      |        |                      |            |
|----------------------|--------|----------------------|------------|
| MC22405A6WR-FPTLW-V2 | 2 x 24 | 5mm Character Height | LCD Module |
| <b>Specification</b> |        |                      |            |
| Version: 1           |        | Date: 31/10/2016     |            |
| <b>Revision</b>      |        |                      |            |
|                      |        |                      |            |