

**PLEASE CHECK WWW.MOLEX.COM FOR LATEST PART INFORMATION**

**Part Number:** [1731090341](#)  
**Status:** **Active**  
**Overview:** [FCT D-Sub Connectors](#)  
**Description:** FCT Standard-Density D-Sub Connector, Female, Right-Angle, Surface Mount, 3.70mm Contact Height, 500 Mating Cycles, Diecast Bracket, 15 Circuits

**Documents:**

[RoHS Certificate of Compliance \(PDF\)](#)

**General**

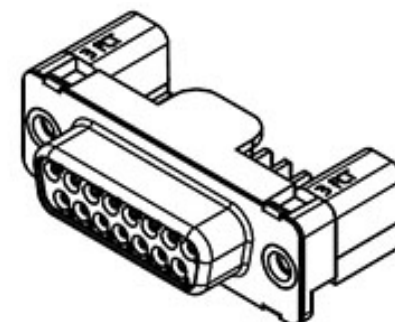
Product Family	D-Sub Products
Series	<a href="#">173109</a>
Brochure Order No	987651-9941
Exclude SD Check	Yes
IP Rating	IP20
Overview	<a href="#">FCT D-Sub Connectors</a>
Product Category	D-Sub Connector
Product Name	FCT Products
Type	Standard Density
UPC	191128118262

**Physical**

Circuits (Loaded)	15
Circuits (maximum)	15
Color - Resin	Natural
Durability (mating cycles max)	500
Gender	Female
Material - Contact	Copper Alloy
Material - Resin	PBT
Material - Shell	Steel
Net Weight	14.200/g
Number of Rows	2
Orientation	Right-Angle
PC Tail Length	3.70mm
PCB Locator	Yes
PCB Retention	Yes
PCB Thickness - Recommended	1.60mm
Packaging Type	Embossed Tape on Reel
Panel Mount	Rear
Panel Mount Method	Thread-In
Pitch - Mating Interface	2.84mm
Pitch - Termination Interface	3.40mm
Plating - Contact	Gold over Palladium Nickel
Plating - Shell	Nickel
Polarized to Mating Part	Yes
Polarized to PCB	Yes
Ports	1
Shielded	Yes
Surface Mount Compatible (SMC)	Yes
Temperature Range - Operating	-55° to +150°C
Termination Style	Surface Mount
Waterproof / Dustproof	No
Waterproof / Dustproof Type	IP20

**Electrical**

Current - Maximum per Contact	5.0A
-------------------------------	------



*Series image - Reference only*

**EU ELV**

**Not Relevant**

**EU RoHS**

**Not Reviewed**

**REACH SVHC**

Not Reviewed

**Halogen-Free**

**Status**

**Not Reviewed**

For more information, please visit [Contact US](#)

China ROHS

Not Reviewed

ELV

Not Relevant

RoHS Phthalates

Not Reviewed

**Search Parts in this Series**

[173109 Series](#)

**Mates With**

FCT Standard-Density D-Sub, Size 2, 15 Position, Plug

**Material Info**  
Engineering Number

FSLT15S101G1-3752

This document was generated on 06/21/2019

**PLEASE CHECK [WWW.MOLEX.COM](http://WWW.MOLEX.COM) FOR LATEST PART INFORMATION**