

PLEASE CHECK WWW.MOLEX.COM FOR LATEST PART INFORMATION

Part Number: [1731121066](#)
Status: **Active**
Overview: [FCT D-Sub Connectors](#)
Description: FCT Coaxial Contact, Male, Straight, Crimp, 75 Ohms, 0.10µm Gold over Nickel Phosphorus Plating, for RG-179BU or RG-187AU Cable

Documents:
[RoHS Certificate of Compliance \(PDF\)](#)

General

Product Family	D-Sub Products
Series	173112
Brochure Order No	987651-9941
Contact Type	Coaxial
Exclude SD Check	Yes
Overview	FCT D-Sub Connectors
Product Category	Contacts
Product Name	FCT Products
UPC	191130143825
Wire/Cable Type	RG-179BU, RG-187AU

Physical

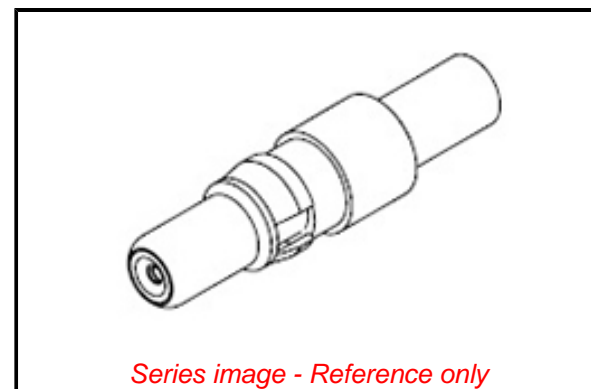
Durability (mating cycles max)	200
Gender	Male
Material - Contact	Copper Alloy
Net Weight	2.500/g
Orientation	Straight
Packaging Type	Bag
Plating - Contact	Gold over Nickel Phosphorus
Plating min - Mating	0.100µm
Plating min - Termination	0.100µm
Temperature Range - Operating	-55° to +135°C
Termination Style	Crimp

Electrical

Current - Maximum per Contact	2.0A
Impedance	75Ω

Material Info

Engineering Number	FMS002P202
--------------------	------------



Series image - Reference only

EU ELV

Not Relevant

EU RoHS

Compliant with Exemption 6(c)

REACH SVHC

Not Reviewed

Halogen-Free

Status

Not Reviewed

For more information, please visit [Contact US](#)

China ROHS

ELV

RoHS Phthalates

China RoHS

50 Image

Not Relevant

Not Contained

Search Parts in this Series

[173112 Series](#)

Use With

FCT Mixed Layout