



Main

Range of product	Preventa XY2
Product or component type	Two-hand control station and pedestal
Component name	XY2S
Control station composition	2 push-buttons + 1 emergency stop push-button
Control button type	2 push-buttons 1 push-button, mushroom, red, 1 NC + 1 NC simultaneous

Complementary

Housing colour	Orange RAL 2008
Surface finish	Painted
Cable entry	1 plain hole for M25 2 plain holes for M20
Mechanical durability	1000000 cycles
Contact code designation	AC-15, A600 or 240 V, 3 A DC-13, Q600 or 250 V, 0.27 A conforming to EN/IEC 60947-5-1 appendix A
[Ui] rated insulation voltage	600 V conforming to CSA C22.2 No 14 600 V conforming to UL 508 600 V, degree of pollution: 3 conforming to EN/IEC 60947-1
[Uimp] rated impulse withstand voltage	6 kV conforming to EN/IEC 60947-1
Positive opening	With conforming to EN/IEC 60947-5-1 appendix K
Short-circuit protection	10 A fuse protection by cartridge fuse type gG conforming to EN/IEC 60269
Electrical durability	1000000 cycles utilisation category AC-15, operating rate: 60 cyc/mn at 120 V, 3 A, load factor: 0.5 conforming to EN/IEC 60947-5-1 appendix C 1000000 cycles utilisation category AC-15, operating rate: 60 cyc/mn at 230 V, 2 A, load factor: 0.5 conforming to EN/IEC 60947-5-1 appendix C 1000000 cycles utilisation category AC-15, operating rate: 60 cyc/mn at 24 V, 4 A, load factor: 0.5 conforming to EN/IEC 60947-5-1 appendix C 1000000 cycles utilisation category DC-13, operating rate: 60 cyc/mn at 110 V, 0.2 A, load factor: 0.5 conforming to EN/IEC 60947-5-1 appendix C 1000000 cycles utilisation category DC-13, operating rate: 60 cyc/mn at 24 V, 0.5 A, load factor: 0.5 conforming to EN/IEC 60947-5-1 appendix C
Electrical reliability	Failure rate < 0.00000001 at 17 V, 0.005 A conforming to EN/IEC 60947-5-4

Failure rate < 0.000001 at 5 V, 0.001 A conforming to EN/IEC 60947-5-4

Product weight	17 kg
----------------	-------

Environment

Standards	EN 954 EN 574
Protective treatment	TC
Ambient air temperature for operation	-25...70 °C
Ambient air temperature for storage	-40...70 °C
Vibration resistance	5 gn (f = 2...500 Hz) conforming to EN/IEC 60068-2-6
Shock resistance	10 gn for 11 ms conforming to EN/IEC 60068-2-27
Electrical shock protection class	Class I conforming to EN/IEC 61140
IP degree of protection	IP65 conforming to EN/IEC 60529

Offer Sustainability

Sustainable offer status	Green Premium product
RoHS (date code: YYWW)	Compliant - since 0908 - Schneider Electric declaration of conformity Schneider Electric declaration of conformity
REACH	Reference not containing SVHC above the threshold Reference not containing SVHC above the threshold
Product environmental profile	Available
Product end of life instructions	Need no specific recycling operations

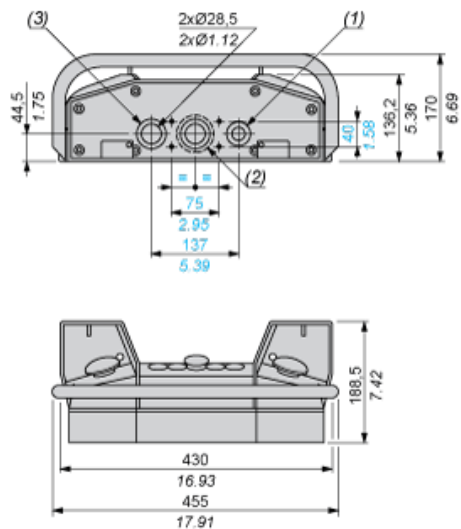
Contractual warranty

Warranty period	18 months
-----------------	-----------

Control Station

Dimensions

mm
in.

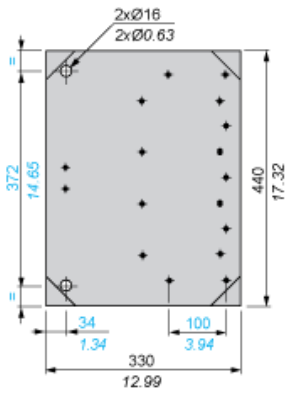
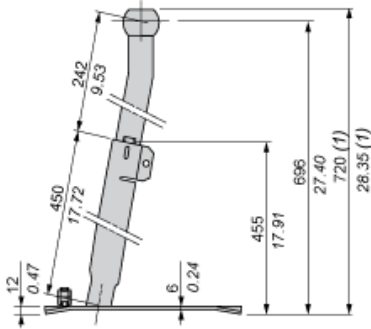


- (1) 2 plain holes for n° 13 (PG13.5) or ISO M20 cable gland.
- (2) Ø 56 mm/Ø 2.20 in. knock-out specifically for mounting on pedestal.
- (3) 1 plain hole for n° 21 (PG21) cable gland. For ISO M25, use adaptor DE9RA2125 and fixing nut DE9EC21.

Pedestal

Dimensions

mm
in.



(1) Adjustable height of pedestal 720 mm to 1060 mm / 28.30 in. to 41.70 in.