



## Main

Range of product	Preventa XY2
Product or component type	Two-hand control station and pedestal
Component name	XY2S
Control station composition	2 push-buttons + 1 emergency stop push-button
Control button type	2 push-buttons 1 push-button, mushroom, red, 1 NC + 1 NC simultaneous
Connections - terminals	Pre-wired terminal block

## Complementary

Housing colour	Orange RAL 2008
Cable entry	1 plain hole for M25 2 plain holes for M20
Mechanical durability	1000000 cycles
Contact code designation	AC-15, A600 or 240 V, 3 A DC-13, Q600 or 250 V, 0.27 A conforming to EN/IEC 60947-5-1 appendix A
[Ui] rated insulation voltage	600 V conforming to CSA C22.2 No 14 600 V conforming to UL 508 600 V, degree of pollution: 3 conforming to EN/IEC 60947-1
[Uimp] rated impulse withstand voltage	6 kV conforming to EN/IEC 60947-1
Positive opening	With conforming to EN/IEC 60947-5-1 appendix K
Short-circuit protection	10 A fuse protection by cartridge fuse type gG conforming to EN/IEC 60269
Electrical durability	1000000 cycles utilisation category AC-15, operating rate: 60 cyc/mn at 120 V, 3 A, load factor: 0.5 conforming to EN/IEC 60947-5-1 appendix C 1000000 cycles utilisation category AC-15, operating rate: 60 cyc/mn at 230 V, 2 A, load factor: 0.5 conforming to EN/IEC 60947-5-1 appendix C 1000000 cycles utilisation category AC-15, operating rate: 60 cyc/mn at 24 V, 4 A, load factor: 0.5 conforming to EN/IEC 60947-5-1 appendix C 1000000 cycles utilisation category DC-13, operating rate: 60 cyc/mn at 110 V, 0.2 A, load factor: 0.5 conforming to EN/IEC 60947-5-1 appendix C 1000000 cycles utilisation category DC-13, operating rate: 60 cyc/mn at 24 V, 0.5 A, load factor: 0.5 conforming to EN/IEC 60947-5-1 appendix C
Electrical reliability	Failure rate < 0.00000001 at 17 V, 0.005 A conforming to EN/IEC 60947-5-4

Failure rate < 0.000001 at 5 V, 0.001 A conforming to EN/IEC 60947-5-4

Product weight 17 kg

## Environment

Standards	EN 574 EN/IEC 60947-5-1 ISO 13851
Protective treatment	TC
Ambient air temperature for operation	-25...70 °C
Ambient air temperature for storage	-40...70 °C
Vibration resistance	5 gn (f = 2...500 Hz) conforming to EN/IEC 60068-2-6
Shock resistance	10 gn for 11 ms conforming to EN/IEC 60068-2-27
Electrical shock protection class	Class I conforming to EN/IEC 61140
IP degree of protection	IP65 conforming to EN/IEC 60529

## Offer Sustainability

Sustainable offer status	Green Premium product
RoHS (date code: YYWW)	Compliant - since 0920 - Schneider Electric declaration of conformity <a href="#">Schneider Electric declaration of conformity</a>
REACH	Reference not containing SVHC above the threshold <a href="#">Reference not containing SVHC above the threshold</a>
Product end of life instructions	Need no specific recycling operations

## Contractual warranty

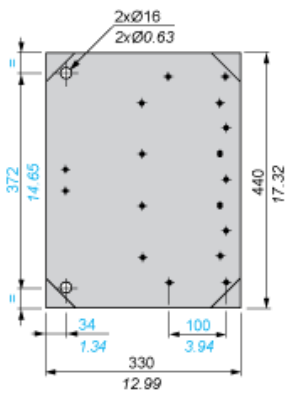
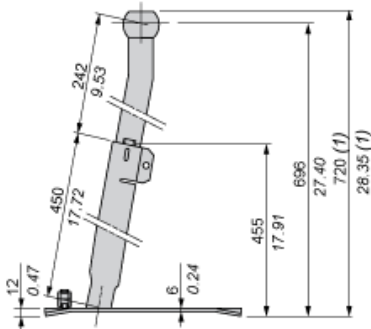
Warranty period 18 months



Pedestal

Dimensions

mm  
in.



(1) Adjustable height of pedestal 720 mm to 1060 mm / 28.30 in. to 41.70 in.