



### Main

Accessory / separate part category	Mounting and fixing accessories
Accessory / separate part type	Collar for synchro mounting

### Complementary

Accessory / separate part destination	Ø 58 mm encoder with solid shaft
Product compatibility	XCC1510P XCC3510P
Product weight	0.04 kg

### Offer Sustainability

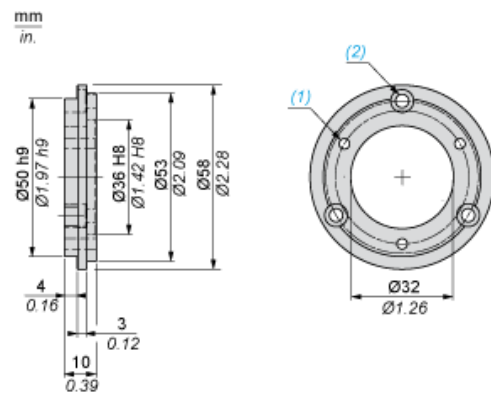
RoHS (date code: YYWW)	Compliant - since 0701 - Schneider Electric declaration of conformity <a href="#">Schneider Electric declaration of conformity</a>
REACH	Reference not containing SVHC above the threshold <a href="#">Reference not containing SVHC above the threshold</a>

### Contractual warranty

Warranty period	18 months
-----------------	-----------

Disclaimer: This documentation is not intended as a substitute for and is not to be used for determining suitability or reliability of these products for specific user applications

## Dimensions



- (1) 3 holes M4 x 0.7 at 120° on 42 PCD. TC M3 x 8 screw fixings
- (2) 3 counterbored holes for TC M4 x 8 screws at 120° on 48 PCD