

USER MANUAL

RM418-R5, RM419-R4

1U RACKMOUNT KEYBOARD DRAWER

24/7 TECHNICAL SUPPORT AT 1.877.877.2269 OR VISIT BLACKBOX.COM



TABLE OF CONTENTS

1. SPECIFICATIONS.....	3
2. OVERVIEW.....	3
2.1 Introduction.....	3
2.2 What's Included.....	3
3. INSTALLATION STEPS.....	4
4. STRUCTURE DRAWING.....	6
APPENDIX: DISCLAIMER/TRADEMARKS.....	7
A.1 Disclaimer.....	7
A.2 Trademarks Used in this Manual.....	7



1U RACKMOUNT KEYBOARD DRAWER

1. SPECIFICATIONS

Construction: 16-gauge steel

Dimensions: 1.75" H x 17.4" W x 15.75" D (4.4 x 44.2 x 40 cm)

Weight: 15 lb. (6.8 kg)

2. OVERVIEW

2.1 INTRODUCTION

The Rackmount Keyboard Drawers are available in two models. The RM419-R4 has a two-button touchpad, and the RM418-R5 has a trackball mouse.

2.2 WHAT'S INCLUDED

Your package should include the following items. If anything is missing or damaged, contact Black Box Technical Support at 877-877-2269 or info@blackbox.com.

Rackmount Keyboard Drawer with Trackball Mouse (RM418-R5) or Rackmount Keyboard Drawer with Touchpad Mouse (RM419-R4)

- ♦ (2) rear-mounting L-brackets
- ♦ (4) fasteners for rear-mounting L-brackets
- ♦ (1) 2-in-1 PS/2 keyboard and mouse cable
- ♦ (1) PS/2 to USB adapter
- ♦ (1) set of keys
- ♦ (1) package insert directing users to blackbox.com to download this manual

NOTE: You may also need hardware (not included) to mount the drawer in the rack.

CHAPTER 3: INSTALLATION STEPS

3. INSTALLATION STEPS

1. Install each rear L-bracket using two fasteners. Leave the fasteners slightly loose. See Figure 1

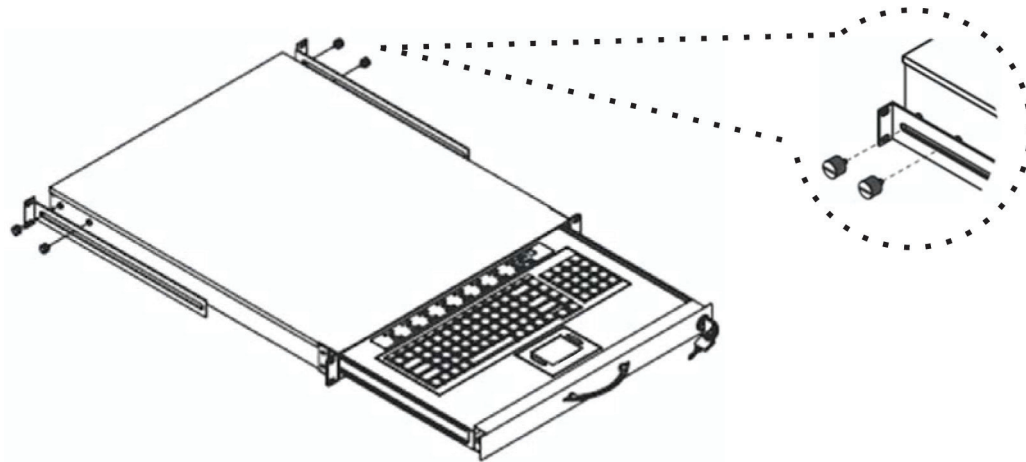


FIGURE 1. INSTALLING THE FASTENERS

2. Measure the front and rear mounting depth of the rack and align each rear L-bracket to a suitable length. Tighten the fasteners. See Figure 2.

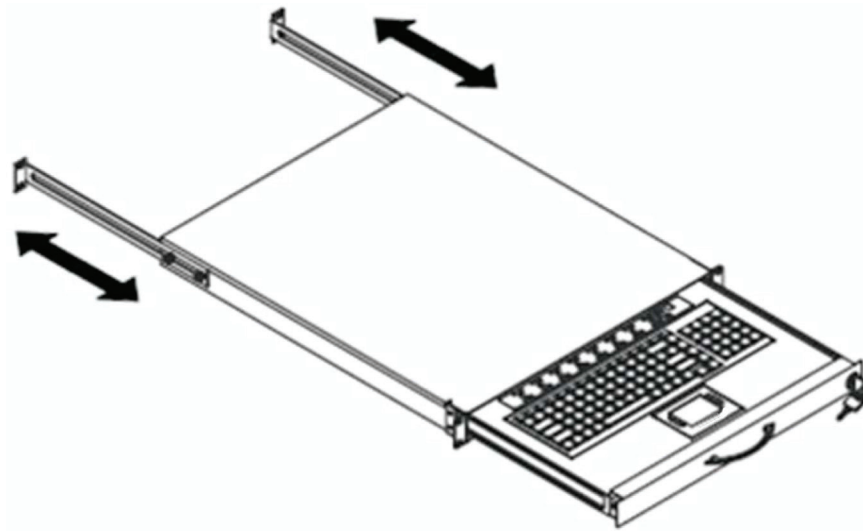


FIGURE 2. ALIGNING THE L-BRACKETS

CHAPTER 3: INSTALLATION STEPS

3. Install the keyboard drawer into the rack. See Figure 3. Hardware for mounting the drawer to the rack is not included.

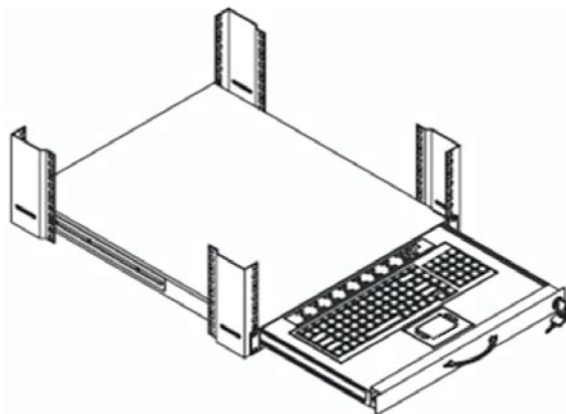


FIGURE 3. INSTALLING THE KEYBOARD DRAWER INTO THE RACK

4. Connect to the server via a USB or PS/2 interface. See Figure 4.

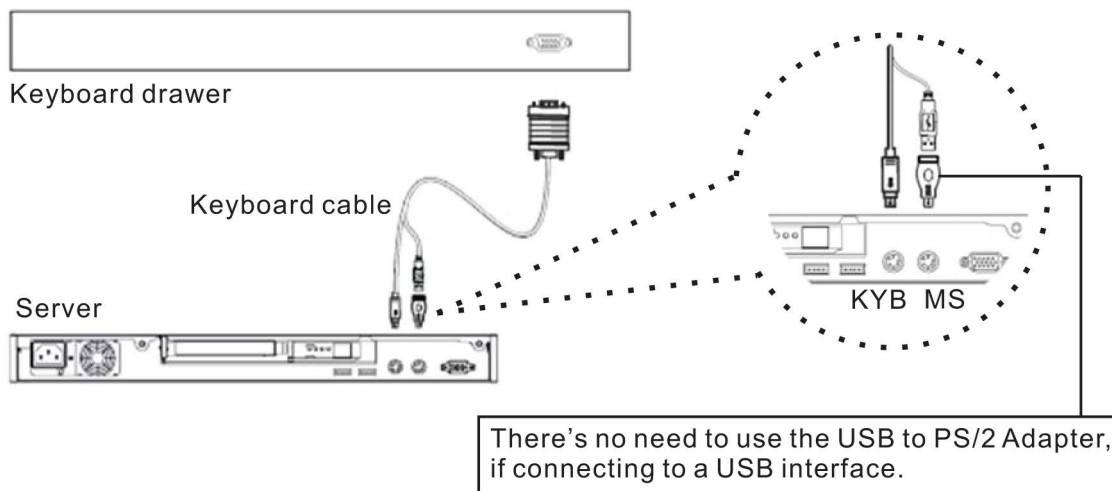


FIGURE 4. CONNECTING TO THE SERVER

CAUTION: The keyboard drawer is hot-pluggable, but components of connected devices may not be hot-pluggable. Before attempting to connect any devices to the keyboard drawer, turn off the power to them. Apply power to connected devices again only after the keyboard is receiving power.

CHAPTER 4: STRUCTURE DRAWING

4. STRUCTURE DRAWING

Figure 5 identifies the components of the Keyboard Drawer.

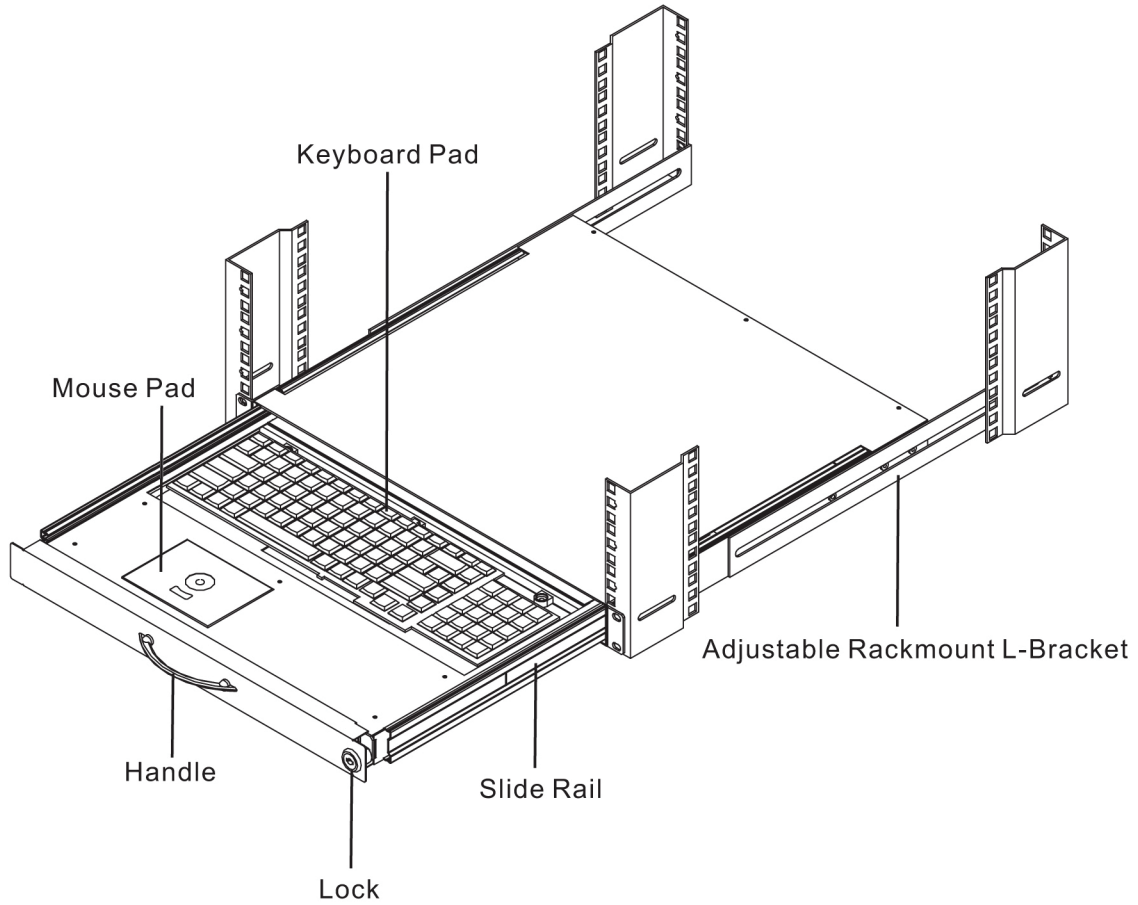


FIGURE 5. KEYBOARD DRAWER COMPONENTS

APPENDIX: DISCLAIMER/TRADEMARKS

A.1 DISCLAIMER

Black Box Corporation shall not be liable for damages of any kind, including, but not limited to, punitive, consequential or cost of cover damages, resulting from any errors in the product information or specifications set forth in this document and Black Box Corporation may revise this document at any time without notice.

A.2 TRADEMARKS USED IN THIS MANUAL

Black Box and the Black Box logo type and mark are registered trademarks of Black Box Corporation.

Any other trademarks mentioned in this manual are acknowledged to be the property of the trademark owners.



**NEED HELP?
LEAVE THE TECH TO US**

**LIVE 24/7
TECHNICAL
SUPPORT**

1.877.877.2269

