

# Data sheet

## 40G RJ45 field plug pro 360

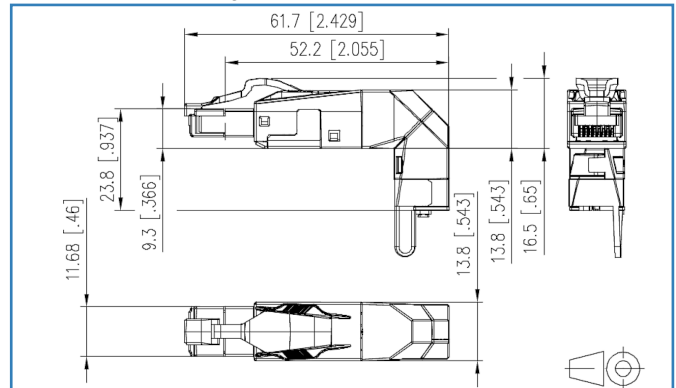
Page 1/5

P/N  
130H405042-E  
EAN 4251394614526  
2019/05/15

### Illustrations



Dimensional drawing



See enlarged drawings at the end of document

### Product specification

- Cat.8.1 class I RJ45 plug to be assembled in the field (up to 2000 MHz)
- fully shielded and multi-port capable
- variable (360°) cable feed, freely selectable
- easy assembly - connection without special tools
- wire connection: stranded wire AWG 27/7 to 22/7, wire diameter from 0.43 to 0.76 mm
- wire connection: solid wire AWG 26/1 to 22/1, wire diameter from 0.4 to 0.64 mm
- transmission characteristics Cat.8.1 per ISO/IEC 11801 Ed.3:2017 (up to 2000 MHz)
- compliance with class I to ISO/IEC 11801 Ed.3:2017, DIN EN 50173-1:2018
- suitable for 40GBASE-T 40 GBit Ethernet (IEEE 802.3bq), Remote Powering (PoE, PoE plus, UPoE and 4PPoE) and HDBaseT
- degree of protection IP20
- for cable jacket diameter from 5.5 to 10.5 mm
- zinc die-cast housing for industrial use consists of only 2 parts
- strain relief by latching clip directly on the stuffer cap
- protected locking hook
- reconnectable



## Data sheet 40G RJ45 field plug pro 360

### Technical Data

#### General Data

Fields of application	Structured building cabling
Design	plug
Shielding	shielded
Transmission technology	Copper
Color	blue
Dimensions	
Dimension	49.8 mm x 13.8 mm x 16.5 mm
Dimension	1.961 in. x 0.543 in. x 0.65 in.
Field assembly ability	yes
Multi-port capability	yes
Labeling option	on housing

#### Transmission characteristics

Remote Powering	yes
PoE	IEEE 802.3af
PoE plus	IEEE 802.3at
UPoE	yes
4PPoE	IEEE 802.3bt
HDBaseT	yes
Transmission rate up to 10 GBit	IEEE 802.3an

#### Connections/interfaces

Connector technology interface 1	IDC-connection
Connector technology interface 2	RJ45 plug
Number of ports interface 2	1
Number of ports interface 2 equipped	1
Number of positions/contacts interface 1	8
Number of positions/contacts interface 2	8P/8C

### Technical Data

#### Connections/interfaces

##### Termination data, solid wire (min. - max.)

Conductor cross section, solid wire	0.128 mm <sup>2</sup> - 0.324 mm <sup>2</sup>
Conductor diameter, solid wire (bare copper)	0.409 mm - 0.643 mm
Conductor diameter, solid wire (bare copper)	0.016 in. - 0.025 in.

##### Termination data, stranded wire (min. - max.)

Conductor cross section, stranded wire	0.111 mm <sup>2</sup> - 0.355 mm <sup>2</sup>
Conductor diameter, stranded wire (bare copper)	0.457 mm - 0.762 mm
Conductor diameter, stranded wire (bare copper)	0.018 in. - 0.03 in.

##### Core diameter (min. - max.)

Core diameter (conductor with insulation)	1.6 mm
Core diameter (conductor with insulation)	0.063 in.

##### Cable sheath diameter (min. - max.)

Cable sheath diameter	5.5 mm
Cable sheath diameter	0.217 in.

Cable access/outlet	variable, selectable (360°)
Reconnectibility	yes
Shield connection	flexible contact spring

#### Electrical characteristics

Rated voltage	max. 50 V
Contact resistance	max. 20 mOhm
Insulation resistance	min. 500 MOhm
Dielectric strength conductor-conductor (secondary)	1000 V DC
Dielectric strength conductor-shield	1500 V DC

#### Mechanical characteristics

Mounting method	snap-in function
Insertion and withdrawal force	max. 20 N
Position/mounting of latch - standard installation position	top
strain relief	latching clip

## Data sheet 40G RJ45 field plug pro 360

Page 4/5

P/N  
130H405042-E  
EAN 4251394614526  
2019/05/15

### Technical Data

#### Materials and material properties

Material - Housing	GD-Zn (zinc die-cast)
Material - Contact	CuSn (tin bronze)
Material - Contact finish	Ni + Au (nickel-gold)
Material - Latch	Plastics
Material - Finish	Ni (nickel)

#### Environmental conditions

Temperature (min. - max.)	
Temperature - Storage $\hat{A}^{\circ}\text{C}$	-40 $^{\circ}\text{C}$ - 85 $^{\circ}\text{C}$
Temperature - Storage $\hat{A}^{\circ}\text{F}$	-40 $^{\circ}\text{F}$ - 185 $^{\circ}\text{C}$
Temperature - Operating $\hat{A}^{\circ}\text{C}$	-40 $^{\circ}\text{C}$ - 85 $^{\circ}\text{C}$
Temperature - Operating $\hat{A}^{\circ}\text{F}$	-40 $^{\circ}\text{F}$ - 185 $^{\circ}\text{F}$
Particulate ingress	IP2X
Electromagnetic measurement	E2

#### Approvals

CE	compliant
----	-----------

#### The product meets the following standards

Generic cabling systems	
General requirements	TIA/EIA 568-C
Office buildings	TIA/EIA 568-C
Connectors for electronic equipment - Tests and measurements	
Test schedule for connectors	DIN-EN 60512-99-001, DIN-EN 60512-99-002

#### Classifications

ETIM 5.0	EC001121
ETIM 6.0	EC001121

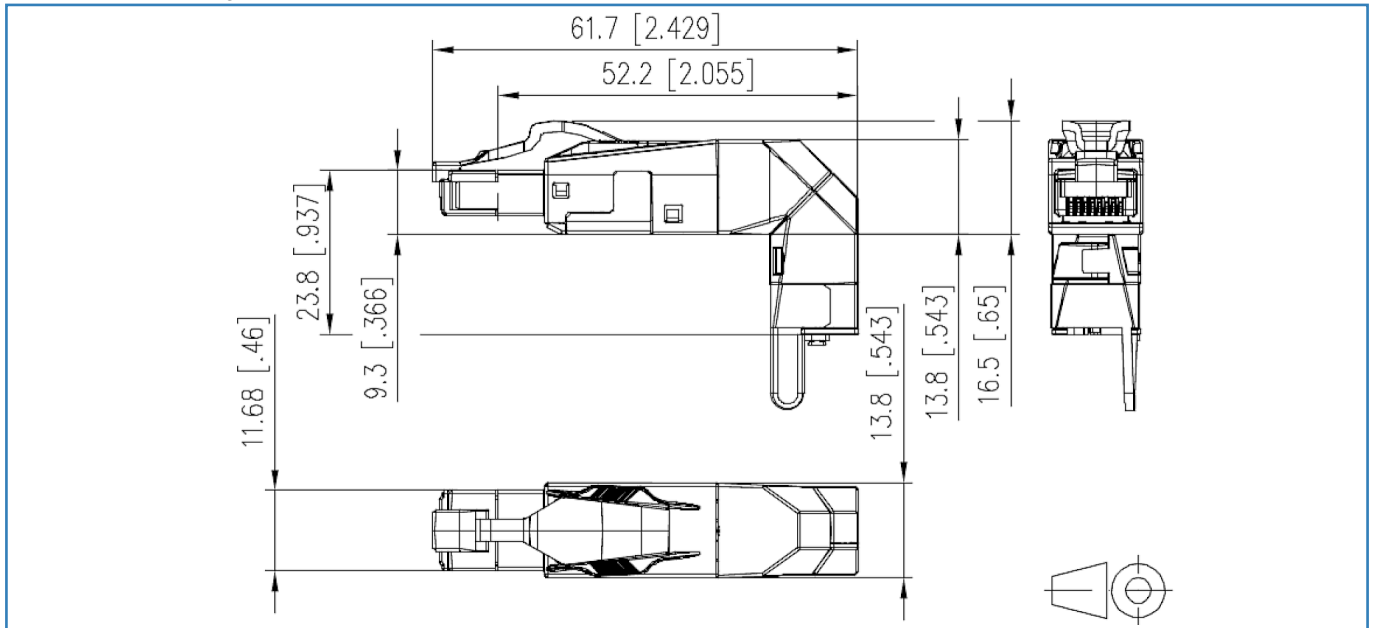
#### Packing details

Type of packaging	pc(s) / box
Packaging unit - Weight (gram)	413 g
Packaging unit - Weight (pound)	0.91 lb
Packaging dimension	258 mm x 164 mm x 51 mm
Packaging dimension	10.157 in. x 6.457 in. x 2.008 in.



**Illustrations**

Dimensional drawing



© 2019 METZ CONNECT - Technische Änderungen vorbehalten! Subject to modifications! Sous réserve de modifications techniques!

