

02 0271

Quicklock circular connectors, IP67

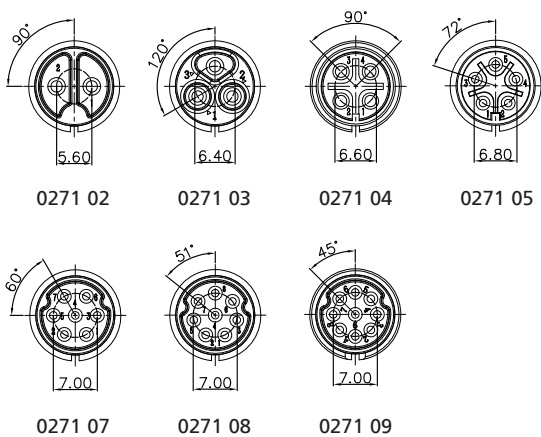
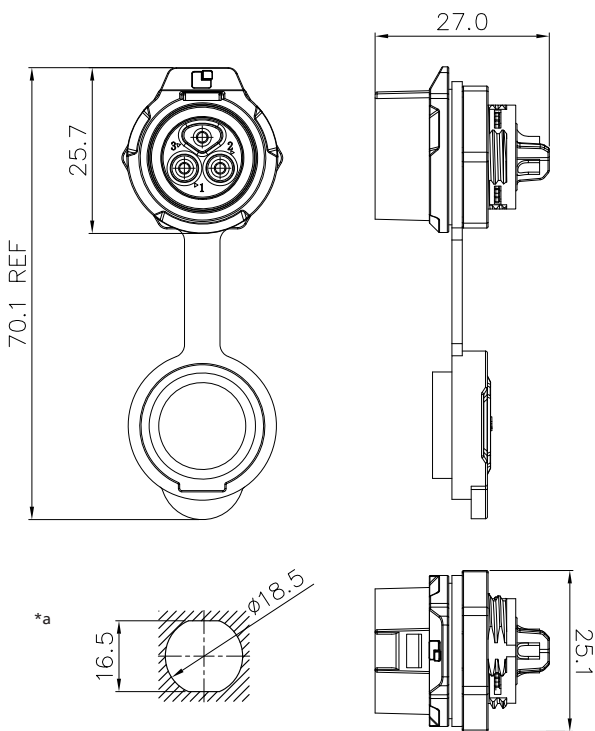


Quicklock chassis socket, IP67, size 16, straight version,
with plastic housing, solder terminals and protecting cap
(IP65)

Approvals:  

02

0271



*a port

Environmental conditions

Temperature range -40 °C/+80 °C

Materials

Insulating body	PBT, V-0 according to UL94
Contact bush	CuSn, gold-plated
Housing	PBT, V-0 according to UL94
Cap	SI
Hexagonal nut	PBT, V-0 according to UL94

Mechanical data

Mating cycles	1700
Insertion force	≤ 90 N
Withdrawal force	≤ 40 N
Protection class	IP67 (protecting cap IP65)

Connectable conductors for solder area

Section	≤ 1.5 mm ² (2-4 poles) ≤ 1.0 mm ² (5-9 poles)
---------	--

Electrical data (at T_{amb} 20 °C)

Contact resistance	≤ 5 mΩ
Rated current	10 A (2-4 poles) 5 A (5-9 poles)
Rated voltage	400 V
Rated impulse voltage	2500 V AC
Creepage distance	≥ 2 mm
Clearance	≥ 2 mm
Insulation resistance	> 500 MΩ

Associated products

Counterparts
☞ 0251

02

0271

Designation	Pole Number	PU (Pieces)	MDQ (Pieces)
0271 02	2	10	50
0271 03	3	10	50
0271 04	4	10	50
0271 05	5	10	50
0271 07	7	10	50
0271 08	8	10	50
0271 09	9	10	50

Packaging:

in individual plastic bags, in a cardboard box