

PLEASE CHECK WWW.MOLEX.COM FOR LATEST PART INFORMATION

Part Number: [1727040121](#)
Status: **Active**
Overview: [FCT D-Sub Connectors](#)
Description: FCT Plastic Backshell for D-Sub Connector, Shielded, Shell Size 4, Straight Cable Outlet

Documents:

[RoHS Certificate of Compliance \(PDF\)](#)

General

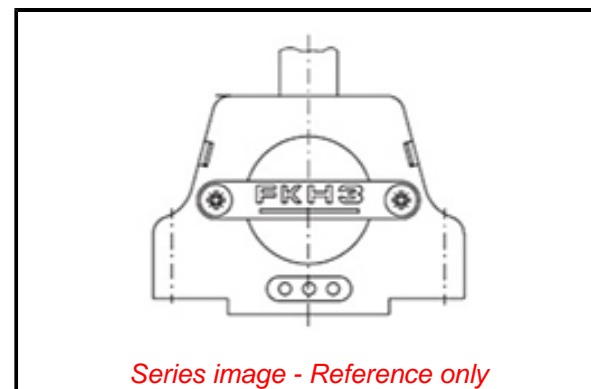
Product Family	D-Sub Products
Series	172704
Brochure Order No	987651-9941
Exclude SD Check	Yes
Overview	FCT D-Sub Connectors
Product Category	Backshell
Product Name	FCT Products
Type	Plastic
UPC	889056020329

Physical

Cable Diameter	8.00-10.50mm
Material - Backshell	ABS / PC+ABS
Net Weight	23.500/g
Orientation	Straight
Packaging Type	Bag
Plating - Backshell	Nickel
Shield Type	Shielded Plastic
Shielded	Yes
Temperature Range - Operating	-35° to +95°C
Tightening Test Torque	40 Ncm
Waterproof / Dustproof	No

Material Info

Engineering Number	FKH4AE
--------------------	--------



Series image - Reference only

EU ELV

Not Relevant

EU RoHS

Compliant with Exemption 6(a)-I

REACH SVHC

Not Reviewed

Halogen-Free

Status

Not Reviewed

For more information, please visit [Contact US](#)

China ROHS

50 Image

ELV

Not Relevant

RoHS Phthalates

Not Contained

Search Parts in this Series

[172704 Series](#)

Use With

FCT D-Sub, Size 4