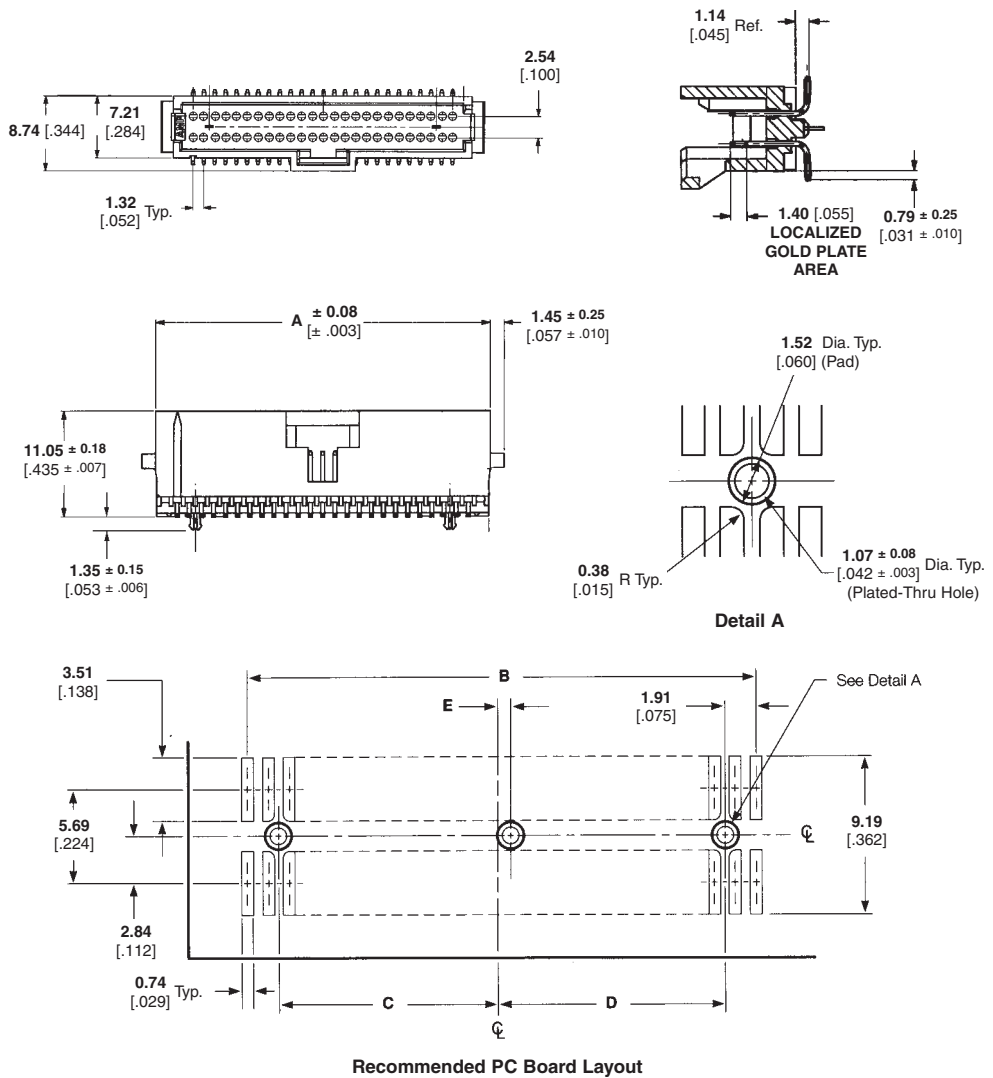
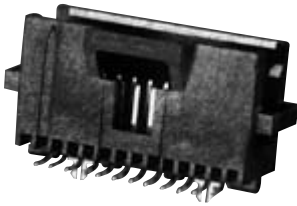


Surface-Mount Headers, 1.27 [.050] Centers, Board-to-Board

Dual-Row, Vertical



Material and Finish

Housing — Glass-filled thermoplastic, black, 94V-0 rated

Contacts — Phosphor bronze, plated 0.00076 [.000030] gold in mating area, 0.00381 [.000150] tin on solder tail, with entire contact underplated 0.00127 [.000050] nickel

Holddown — Copper alloy, plated 0.00381 [.000150] tin over 0.00127 [.000050] nickel

Technical Documents (page 113)

Product Specification 108-1093

Application Specification 114-25035

1.27mm AMPMODU System 50 Connectors

No. of Positions	Dimensions					Part Numbers	
	A	B	C	D	E	Pkg in Tube	Pkg in Tape & Reel*
10	9.65 .380	5.08 .200	—	0.64 .025	—	5-104549-1	5-147377-1
12	10.92 .430	6.35 .250	—	—	—	6-104549-1	—
20	16.00 .630	11.43 .450	3.81 .150	3.81 .150	—	5-104549-2	5-147377-2
24	18.54 .730	13.97 .550	5.08 .200	5.08 .200	—	5-104549-3	5-147377-9
30	22.35 .880	17.78 .700	6.99 .275	6.99 .275	—	5-104549-5	5-147377-3
40	28.70 1.130	24.13 .950	10.16 .400	10.16 .400	—	5-104549-6	5-147377-4
50	35.05 1.380	30.48 1.200	13.34 .525	13.34 .525	0.64 .025	5-104549-7	5-147377-5
60	41.40 1.630	36.83 1.450	16.51 .650	16.51 .650	.000	5-104549-8	5-147377-6
80	54.10 2.130	49.53 1.950	22.86 .900	22.86 .900	.000	5-104549-9	5-147377-7
100	66.80 2.630	62.23 2.450	29.21 1.150	29.21 1.150	.000	6-104549-0	5-147377-8

*Parts packaged in tape and reel without holdowns and with vacuum pick and place cover.
Note: Part Numbers are RoHS compliant.