

SPECIFICATIONS

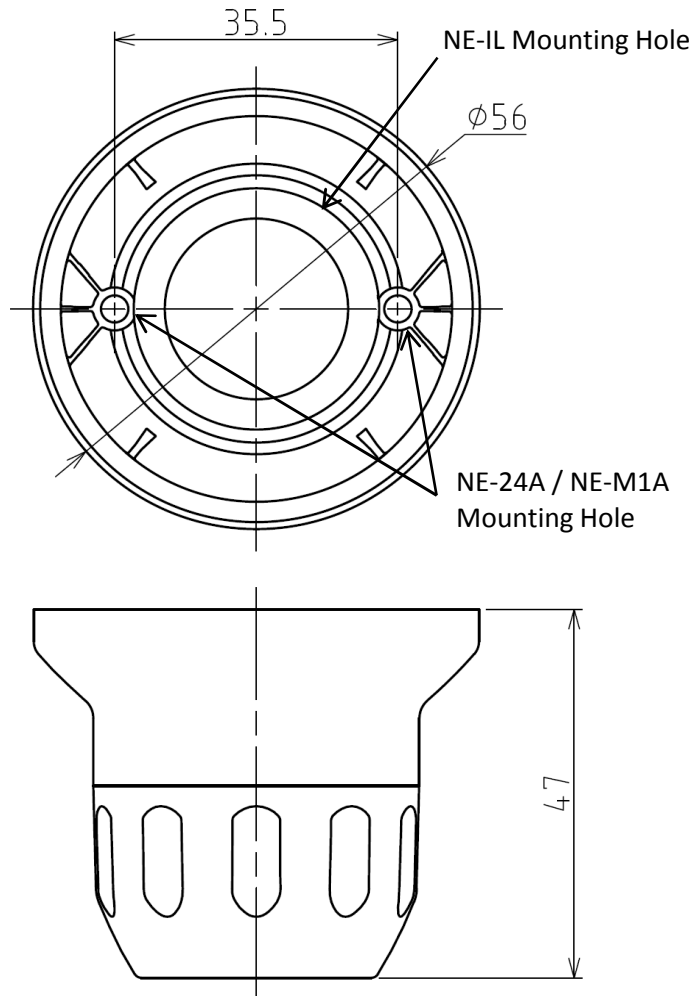
[1.General Specifications]

Product Name	Pole Braket
Model	NE-001D
Mounting Location	Indoor
Mounting Direction	Upright
Mass (Tolerance $\pm 10\%$)	0.031kg(Includes one Sealing Rubber)
Applicable Pole	$\phi 22$ mm Pole, $\phi 25$ mm Pole
Outer Dimensions	Refer to the [2.Outer Dimensions]
Remarks	There are no contents of controlled substances exceeding the threshold for the RoHS Directive.

[2.Outer Dimensions]

[mm]

Material: PC
Color: Off Dark Gray



Accessory
Sealing Rubber Black (For $\phi 22$ mm Pole)
Sealing Rubber Gray (For $\phi 25$ mm Pole)

※Sealing Rubber Black is included in the product.