

Band Size	Circumference	
	Min.	Max.
Small	5.5" (140mm)	9" (229mm)
Medium	6" (152mm)	11" (279mm)
Large	7" (178mm)	12" (305mm)

Item	Band Size	Coil Cord
<a href="#">19886</a>	Small	Not Included
<a href="#">19887</a>	Medium	Not Included
<a href="#">19888</a>	Large	Not Included
<a href="#">19900</a>	Small	6' ( <a href="#">19906</a> )
<a href="#">19901</a>	Medium	6' ( <a href="#">19906</a> )
<a href="#">19902</a>	Large	6' ( <a href="#">19906</a> )
<a href="#">19903</a>	Small	12' ( <a href="#">19907</a> )
<a href="#">19904</a>	Medium	12' ( <a href="#">19907</a> )
<a href="#">19905</a>	Large	12' ( <a href="#">19907</a> )

- A. .002" polyphenylsulfone sheet laminated to each link. Provides >5,000 Volt RMS insulation per ASTM D149. Will not flake or peel.
- B. Unique dual contact design is to be paired with a [Desco MagSnap™ 360 Coil Cord](#) (not included) for a superior electrical connection. The magnetic connection made with the coil cord maintains a 1-5 pound perpendicular breakaway force to prevent accidental disconnects.
- C. Black ABS plastic cap. Molded with "MagSnap 360" trademark.
- D. Underwriters Laboratory Listing 90P1C.
- E. Inside links are constructed of 300 Series Stainless Steel. Width of links is 0.63".
- F. Black ABS plastic insulator separates band into halves.

Meets required limits of ANSI/ESD S20.20 and requirements of ANSI/ESD S1.1.

*All tolerances are 10% unless otherwise specified. Specifications and procedures are subject to change without notice.*

U.S. Patent Pending



## MAGSNAP 360™ DUAL-WIRE METAL EXPANSION WRISTBAND

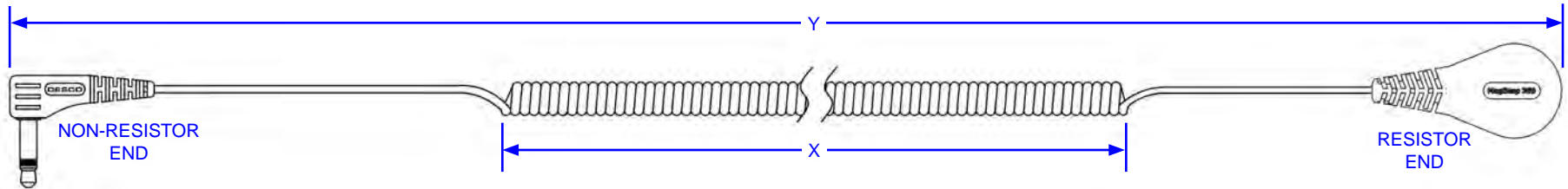
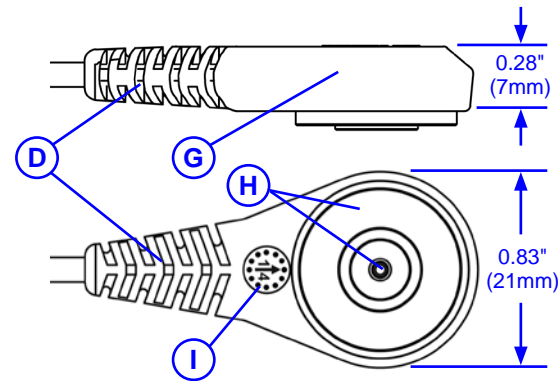
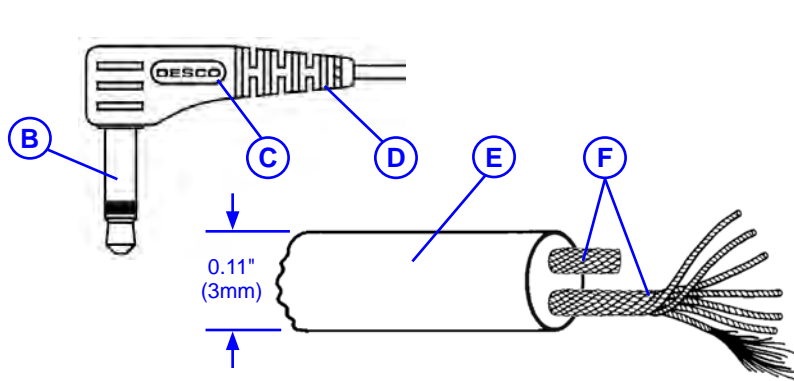
DESCO WEST: 3651 WALNUT AVE, CHINO, CA 91710 WEBSITE: [Desco.com](http://Desco.com)  
PHONE: (909) 627-8178

DESCO EAST: ONE COLGATE WAY, CANTON, MA 02021-1407  
PHONE: (781) 821-8370

**DRAWING  
NUMBER**  
19886

**DATE**  
February  
2019

# DESCO



- A. Underwriters Laboratory Listing 90P1C.
- B. Compatible with [Desco Dual-Wire Continuous Monitors](#) and other brands that accept a [3.5mm phono plug](#).
- C. Desco logo molded in compliance with ANSI/ESD S1.1.
- D. Thermoplastic elastomer strain relief [molded](#) on.
- E. Relaxed retraction coil cord reduces tug on wearer's wrist. Black PVC insulation. Break load average 30 pounds.
- F. Dual T-3067 tinsel conductor. Consists of stranded polyester wrapped in copper. Equivalent to 29 gauge (cir mil and/or ohms).
- G. 1 megohm ( $\pm 5\%$ ) current limiting resistors on both conductors.
- H. Unique dual contact design is to be paired with a [Desco MagSnap 360™ Wristband](#) (not included) for a superior electrical connection. The magnetic connection made with the wristband maintains a 1-5 pound perpendicular breakaway force to prevent accidental disconnects. Spring loaded center contact rated to 1 million cycles.
- I. Date coded with date of manufacture in compliance with ANSI/ESD S1.1.

Meets required limits of ANSI/ESD S20.20 and requirements of ANSI/ESD S1.1.

Item	Mold Color	Mono Plug Tip Diameter	Retracted Length		Extended Length	
			X	Y	Nominal	Max
<a href="#">19880</a>	Black	0.132"	12"	20"	6'	8.5'
<a href="#">19881</a>	Black	0.132"	24"	32"	12'	17'
<a href="#">19882</a>	Black	0.132"	30"	38"	15'	22'
<a href="#">19877</a>	Grey	0.116"	12"	20"	6'	8.5'
<a href="#">19878</a>	Grey	0.116"	24"	32"	12'	17'
<a href="#">19879</a>	Grey	0.116"	30"	38"	20'	22'

U.S. Patent Pending

Unless otherwise noted, tolerance  $\pm 10\%$

Specifications and procedures subject to change without notice.

### MAGSNAP 360™ DUAL-WIRE COIL CORD

DESCO WEST: 3651 WALNUT AVE, CHINO, CA 91710 WEBSITE: [Desco.com](http://Desco.com)  
PHONE: (909) 627-8178

DESCO EAST: ONE COLGATE WAY, CANTON, MA 02021-1407  
PHONE: (781) 821-8370

**DRAWING NUMBER**  
19880

**DATE**  
January 2015





## 19892 - MagSnap 360™ Dual-Wire Metal Small Band w/ 12' Cord

[19886](#) - Magsnap 360™ Dual-Wire Metal Expansion Wristband

[19880](#) - Magsnap 360™ Dual-Wire Coil Cord



### Features:

- **NEW Magnetic Connection Between Wristband and Coil Cord**  
Creates a superior electrical connection to eliminate intermittent failures in traditional snap connections using springs, extend lifespan of the wrist strap, and maintain a 1-5 pound perpendicular breakaway force to prevent accidental disconnects.



- **NEW 360° Rotation Between Wristband and Coil Cord**
- **Designed to promote comfort, freedom of motion, and reduce strain on the operator's wrist.**
- **Dual Wire Metal Expansion Wristband and Coil Cord**  
Creates a redundant path-to-ground for an operator with resistance  $<3.5 \times 10^7$  ohms per the required limits of ANSI/ESD S20.20 for Method 1. If one conductor is damaged, the operator will maintain the path-to-ground through the other conductor.
- **Metal Expansion Wristband**
  - **Medical Grade Series Stainless Steel Backplate and Links**  
Creates a more reliable path-to-ground<sup>1</sup> for the operator and is ideal for use with low voltage style monitors.
- **12 Foot (24 Inches Of Coils) Coil Cord**
  - **[Strain Relief Tests](#) Over 1 Million Cycles; 62 Times The Minimum Requirement Per ESD S1.1**  
Eliminates intermittent failures that occur with less durable cords and extends the lifespan of the wrist strap.
  - **3.5mm Right Angle Phono Plug Connector**  
Works with standard dual wire monitors and grounding jacks.
  - **Relaxed Retraction Coil Cord**  
Soft pull does not tug on the wearer's arm.