

UL® Listed 120 VAC 18x16x8 Inch Weatherproof Enclosure with Mounting Plate Model: NB181608-100-UL

Applications and Features

Features:

- UL® Listed Enclosure E326684
- Molded Fiberglass Reinforced Polyester (FRP) industrial Enclosure
- Stainless steel quick release latches with padlock hasps
- NEMA Type 4, 4X / IP66 rated
- Fully gasketed raised lid & integral mounting flange
- Features aluminum mounting plate with surge protected duplex 120 VAC outlets

Applications:

- Installations Requiring UL® Approved Enclosures
- Remote Wireless LAN WiFi equipment installations
- Indoor and outdoor installations
- Rapid Deployment Installations
- Corrosive environments & hotspot applications
- Protection of equipment from theft or damage



Product Description

UL® Listed Enclosures... The NB1181608-100-UL is approved and listed with UL, meeting the stringent requirements for Communication Enclosure System 40XX. The UL listing number is E326684. Use this enclosure when UL Listed products are required by the project. Other UL Listed enclosures are available in many popular features.

Start with the Box...

The box is a rugged 18" x 16" x 8" weatherproof enclosure that is ideal for both indoor and outdoor applications. Constructed from molded fiberglass, it is well suited for high temperature or corrosive environments. The mounting flange allows it to be wall mounted as well as on a flat surface. The box can also be pole mounted with the optional pole mounting hardware kit. The fully gasketed lid features a stainless steel continuous hinge and stainless steel quick release latches with padlock hasps. The enclosure material is UV stabilized and comes in machine tool gray. The enclosure also features holes for mounting Lightning Protectors or Connectors, a grounding lug and 1/2" cable conduit connector.



Due to the large size of this enclosure, it can accommodate dual sets of most access points. The example to the right shows one of the many ways the enclosure can be configured.

Mounting Plate

The aluminum mounting plate has provisions to mount WLAN equipment from Cisco®, Symbol®, D-Link®, HyperLink and more. With the optional HGX-AMOUNT02 bracket a wide array of HyperLink Amplifiers, Power-Over-Ethernet products and Power Supplies can be mounted as well. Two of these brackets can be mounted side by side. Also available is the HGX-NMOUNT03 Universal Mounting Shelf that can be attached to the mounting plate and can accommodate additional equipment to be placed in the enclosure. The plate features four standard surge protected 120 VAC outlets and a terminal strip to supply power to internal equipment.

Lightning Protection

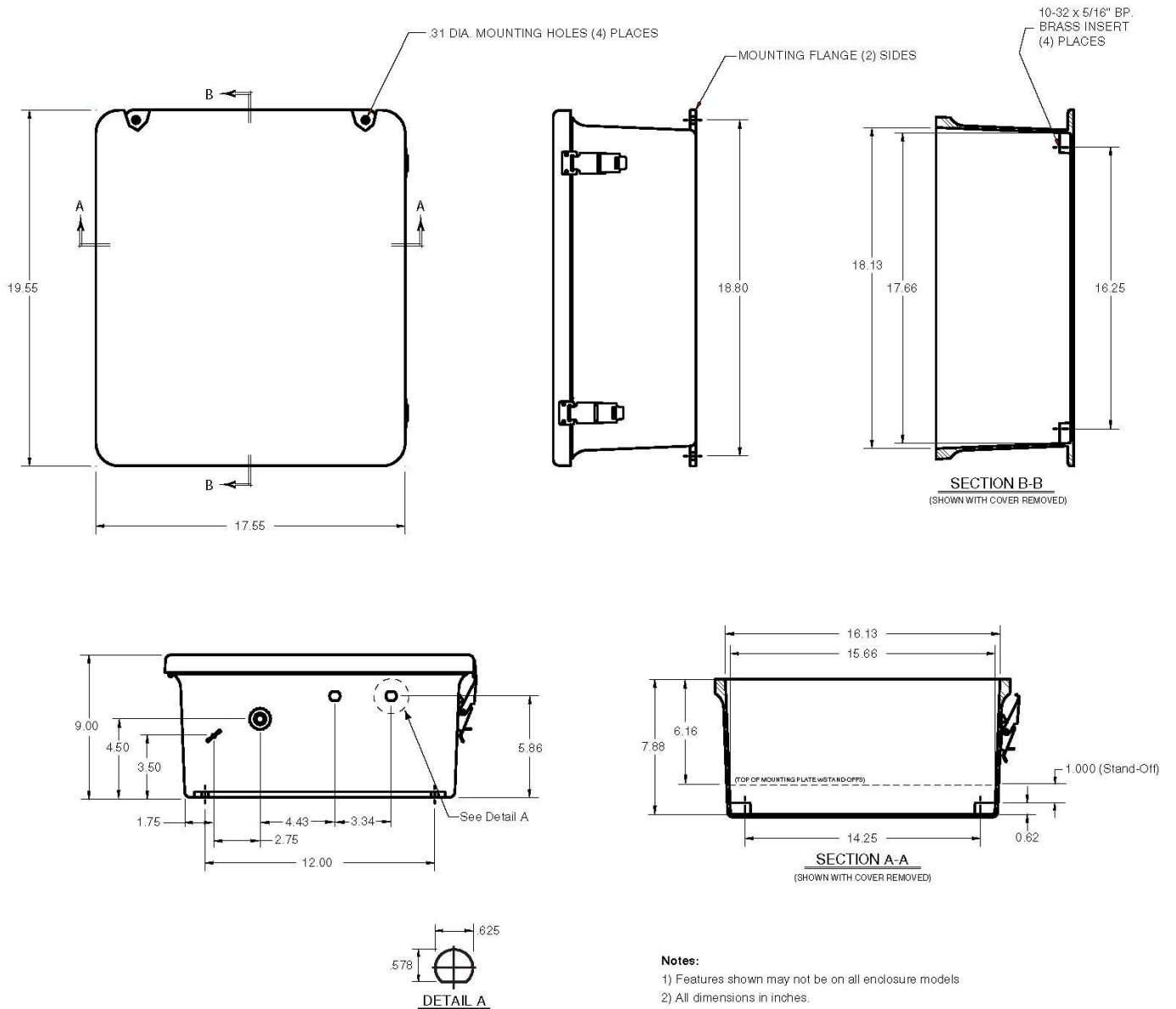
Surge protection is provided as a standard feature on the internal AC outlets. In addition, the unit can accept up to two optional bulkhead-mount N-Type lightning protectors to protect the coaxial cable runs. Mounted to the optional HGX-AMOUNT02 bracket, the HGLN-CAT5 lightning protector can be used with Power-over-Ethernet applications.

Specifications

Enclosure Material	Fiberglass Reinforced Polyester
Enclosure Color	Machine Tool Gray
Voltage	120 VAC
Mounting Plate Material	.10 in. (2.5mm) Thick Anodized Aluminum
Mounting Plate Dimensions	16.8 x 14.8 inches (42.6 x 37.5 cm)
Weight	19 lbs (8.6 kg)
Outside Dimensions (max)	19.5 x 17.5 x 9 inches (49.5 x 44.4 x 22.8 cm)
Inside Dimensions	17.7 x 15.7 x 8.5 inches (44.9 x 39.9 x 21.6 cm)
Flame Rating	UL 94-5V
RoHS Compliant	Yes
Cable Feed	1/2" Cable Conduit Connector
Ratings*	NEMA Type 4, 4X / IP66

*Note: Enclosure ports (Cable conduit connector and N-type holes for lightning protectors or connectors) must be properly sealed to maintain NEMA Type 4, 4X / IP66 rating.

Enclosure Dimensions



Mounting Plate Details

