



## 996 Series

### Electromagnetic door controls

The Briton 996 Series is a range of closers with an integrated electro-magnetic hold open mechanism. Each unit can be set to either 'hold-open' or 'swing-free' operation. In either case the spring closing function of the closer can be temporarily disabled to allow free passage. When de-activated via a connection to the building fire alarm or smoke detection system, the electromagnet disengages and the door closer closes the door in the normal manner to maintain fire safety.



Typically used on fire rated doors where the hold-open or swing-free feature is required either in high traffic areas for convenience or in situations where it would be difficult to satisfy the maximum opening force requirements of Part M of The Building Regulations.

#### Certification

- CE Marked to EN 1155
- Fire tested to EN 1634 for use on timber fire doors up to 2hr rating
- Certifire Approved
- DoP available at [www.britoninspec.co.uk](http://www.britoninspec.co.uk)

#### Features & Functions

- Selectable for Hold-open or Swing-free operation.
- Pressure die cast aluminium body.
- Steel rack and pinion mechanism is heat treated for strength and durability.
- Coil springs manufactured in silicon chrome alloy steel for superior strength and reliability.
- Supplied with armset and bracket for regular or transom mounting and is self handed. For parallel mounting please specify when ordering.
- Fabricated steel cover available in a range of architectural finishes which suite with the Briton 2000 and 2130 closers with Classic covers to complement a variety of door hardware ranges.
- 'Catch plate' can be set to operate in hold-open or swing-free operation during installation to suit individual doorset requirements within a building.
- Electromagnet is controlled by the building fire alarm/detector system and activates the 'catch plate' to ensure the door closes automatically in the event of a fire.
- Optional rear cable entry allows units to be installed with concealed cable using a separate concealed door loop.
- Supplied with armoured power loop to run power safely from the door frame to the closer unit.
- Adjustable closing speed and latch action.

### Briton

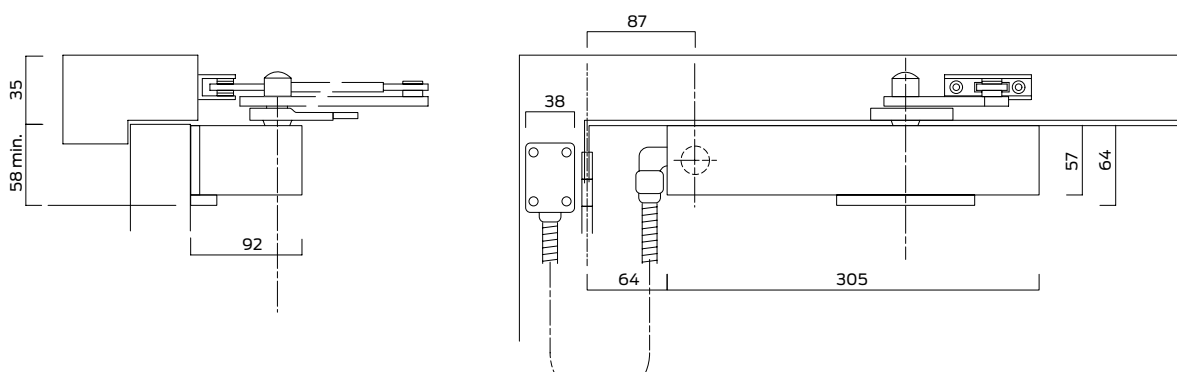
#### 996 Series

#### Electromagnetic door controls

##### Specification Tip

We recommend the specification of a higher power closer than the door size denotes as the spring function will not be active until the actuation of the fire alarm. This will assist in overcoming positive or negative air pressure.

Product features	Product references					
	9963/01	9963/66	9964/01	9964/66	9965/01	9965/66
CE marked (EN 1155)	■	■	■	■	■	■
Fixed closing power EN size	3	3	4	4	5	5
Maximum angle of opening	110°	110°	110°	110°	110°	110°
Adjustable closing speed & latch action	■	■	■	■	■	■
Regular and transom mounting	■		■		■	
Parallel mounting		■		■		■
Hold-open adjustment	■	■	■	■	■	■
Free-swing operation	■	■	■	■	■	■
Cover variants available	Classic	Classic	Classic	Classic	Classic	Classic
Guarantee period	All variants - 10yrs mechanical / 2 years electrical					
<b>CE Classification</b>	3 8 3 1 1 3	3 8 3 1 1 3	3 8 4 1 1 3	3 8 4 1 1 3	3 8 5 1 1 3	3 8 5 1 1 3



**Allegion (UK) Limited**  
35 Rocky Lane, Aston, Birmingham B6 5RQ

Tel: +44 (0) 121 380 2400  
Email: [inspec@allegion.com](mailto:inspec@allegion.com)